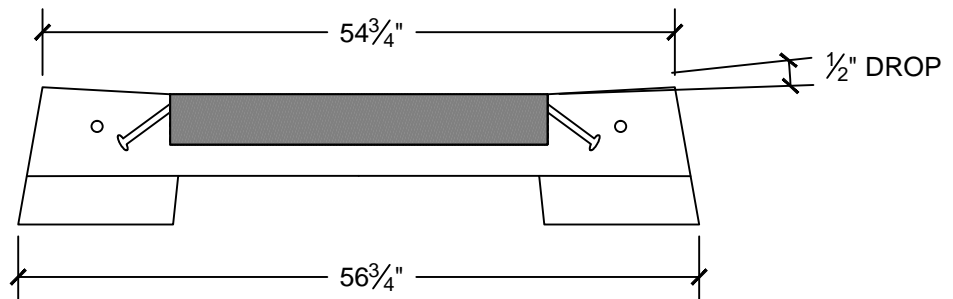
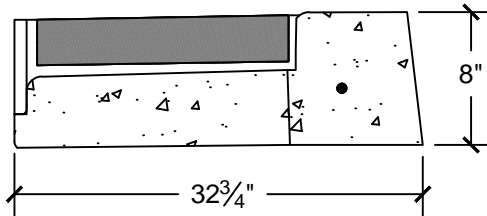
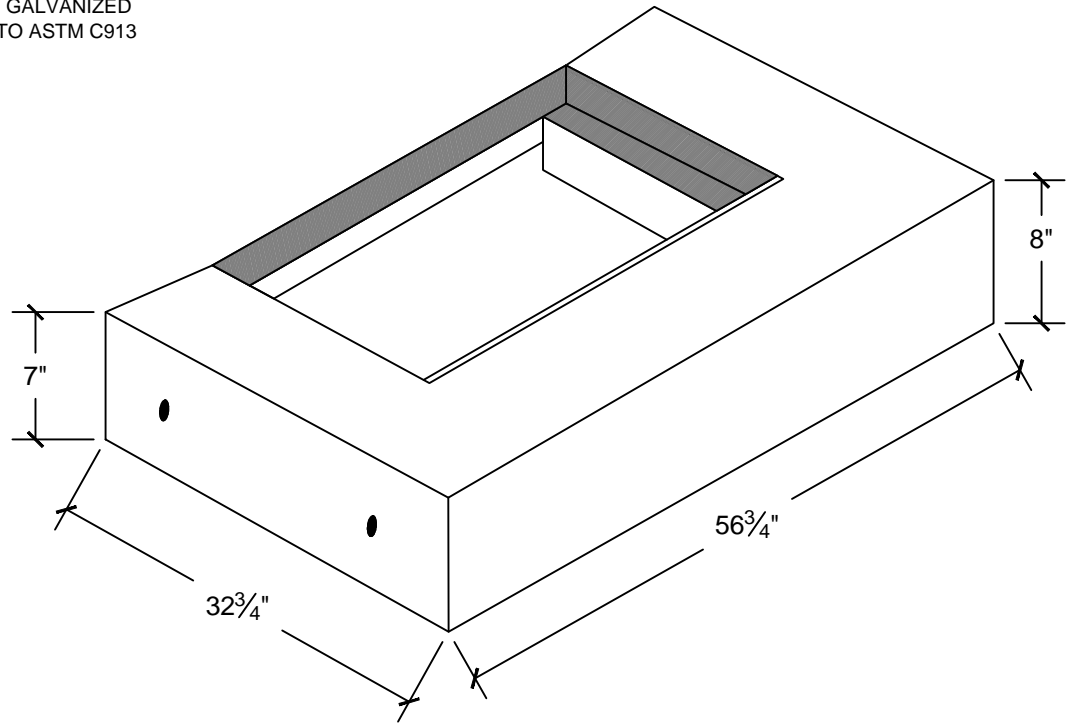


11/18/13	XXX	REV_DESC	LJH	WHR	JML
REV	DATE	DES	REVISION DESCRIPTION	CADD	CHK

TYPE "C" HARTFORD TOP

PAINTED OR GALVANIZED
CONFORMS TO ASTM C913



**CLASS "F" SELF-CONSOLIDATING CONCRETE
4,000 PSI**



PROJECT

TITLE

"C" HARTFORD TOP

DESIGN	BGR	11/18/13	FILE No.
CADD	LJH	11/18/13	SCALE AS SHOWN
REVIEW			REV. 0
PROJECT No.			

DRAWING: HARTFORD TOP