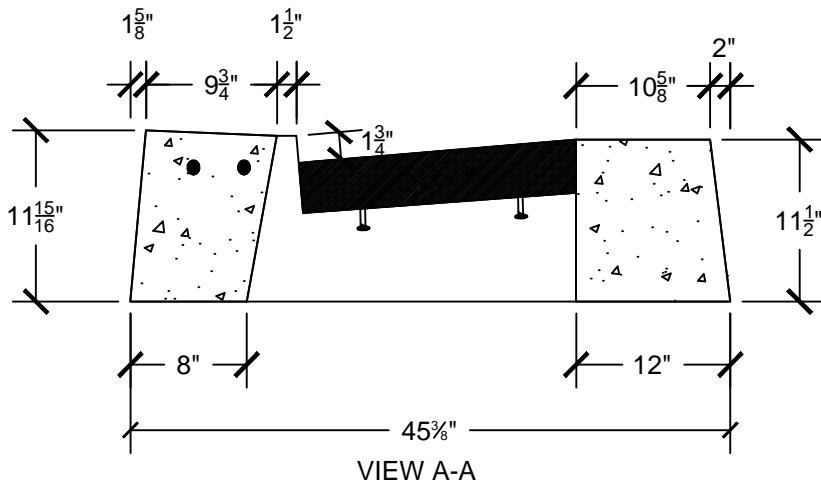
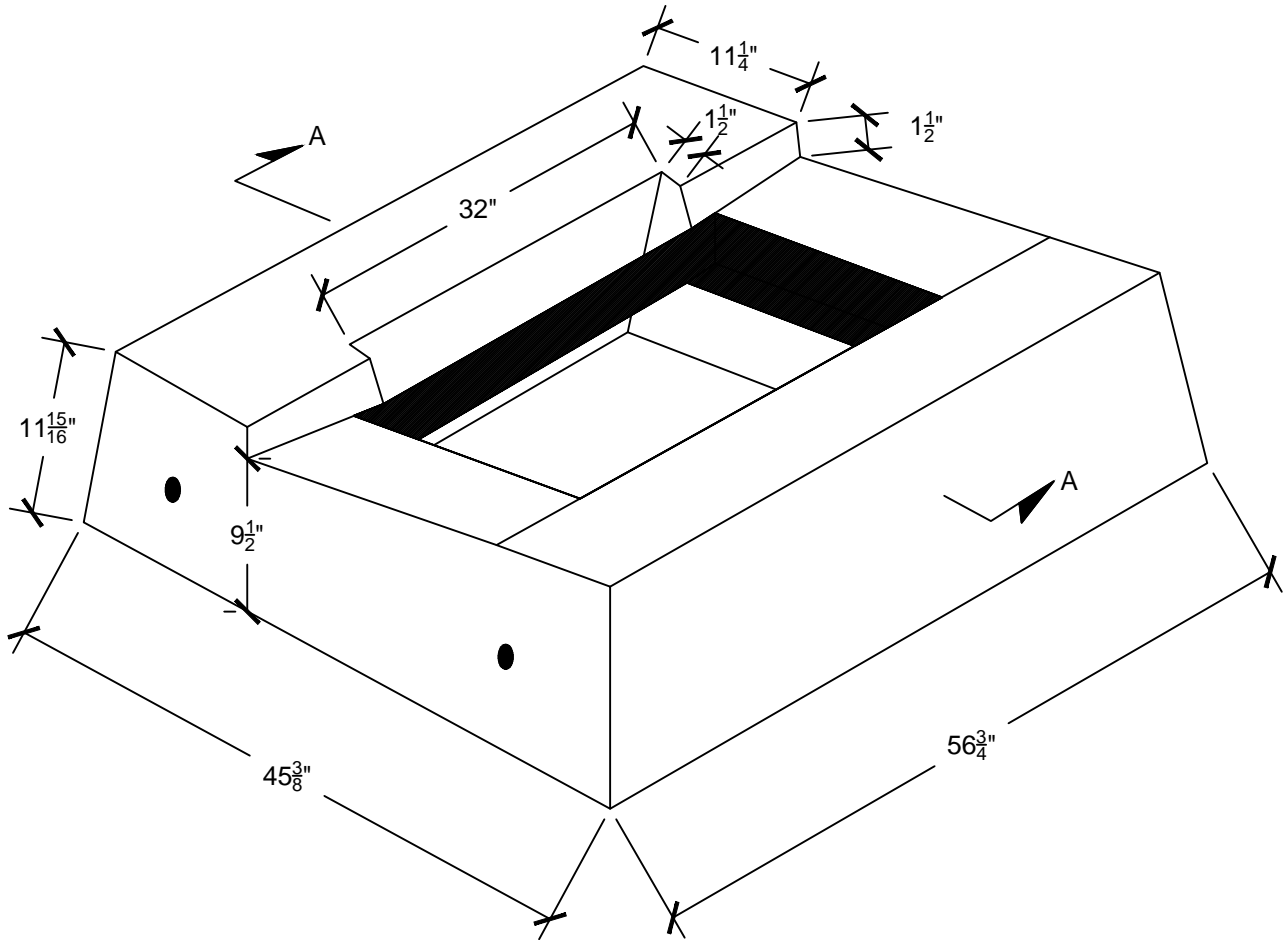



11/18/13	XXX	REV_DESC	LJH	WHR	JML		
REV	DATE	DES	REVISION DESCRIPTION		CADD	CHK	RWW

TYPE "C" MODIFIED TOP

PAINTED OR GALVANIZED
 CONFORMS TO ASTM C913
 WEIGHT: 1700 LBS.



**CLASS "F" SELF-CONSOLIDATING CONCRETE
 4,000 PSI**

 CROMWELL CONCRETE PRODUCTS INC. <small>667 Main Street Cromwell CT 06416 (P) 860.635.5146 (F) 860.635.7469</small>			
PROJECT			
TITLE			
"C" MODIFIED TOP			
DESIGN	BGR	01/21/14	FILE No.
CADD	TLM	03/31/14	SCALE AS SHOWN
REVIEW			REV. 0
PROJECT No.			
DRAWING: C MODIFIED TOP			