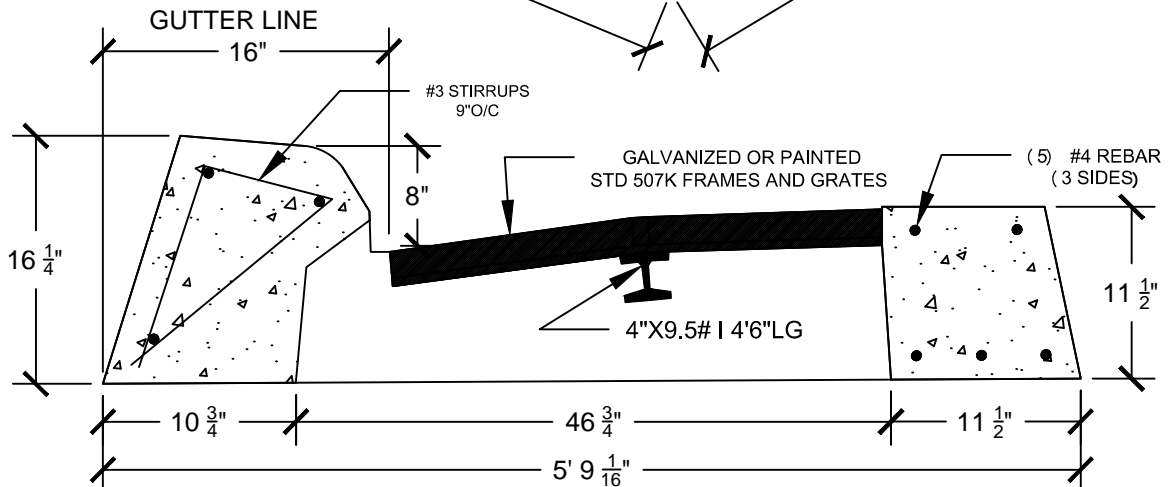
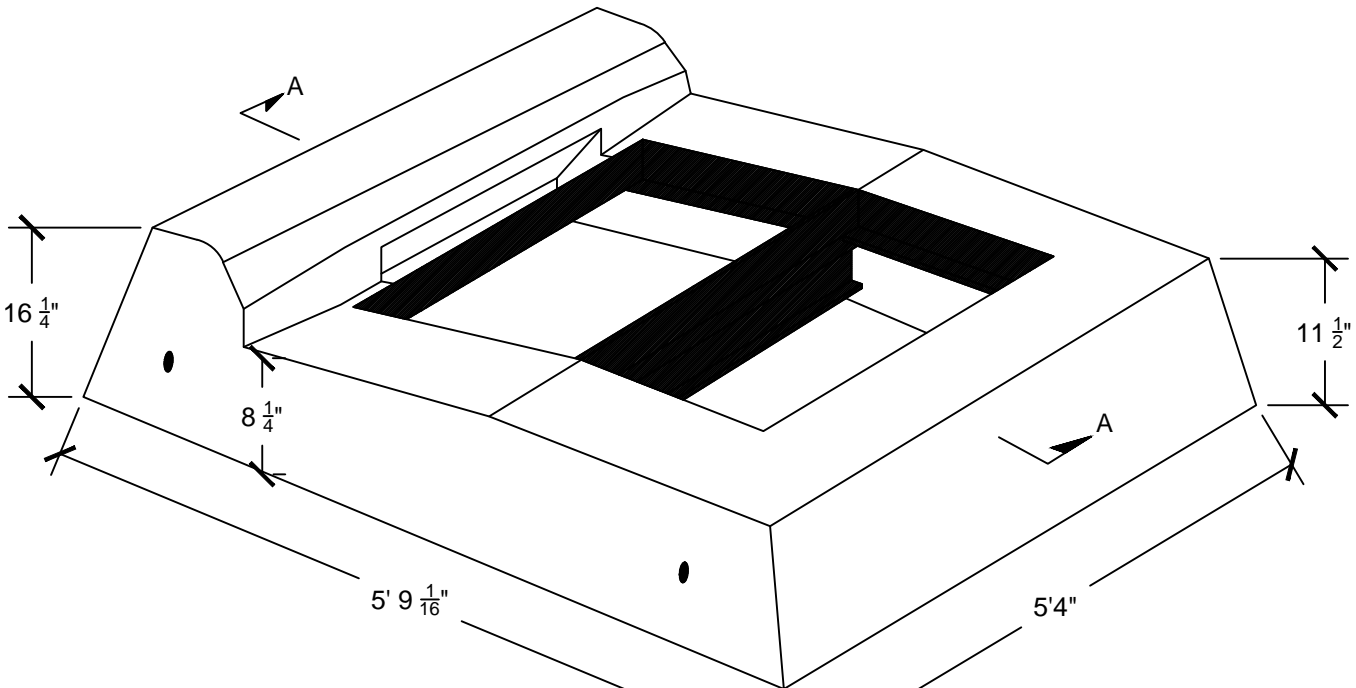


11/05/15	XXX	REV_DESC	LJH	MF	JML		
REV	DATE	DES	REVISION DESCRIPTION		CADD	CHK	RWW

TYPE I BIT CURB TOP
 CONFORMS TO ASTM C913
 CT.DOT.STANDARD 507D SPECS



SECTION A-A

CLASS "FSC" SELF-CONSOLIDATING CONCRETE
4,000 PSI

CROMWELL CONCRETE PRODUCTS INC.

PROJECT

TITLE
TYPE I BIT CURB CT DOT

DESIGN	BGR	01/21/14	FILE No.
CADD	PJK	04/25/14	SCALE AS SHOWN
REVIEW	MF	11/05/15	REV. 0
PROJECT No.			

DWG: TYPE I BIT CURB