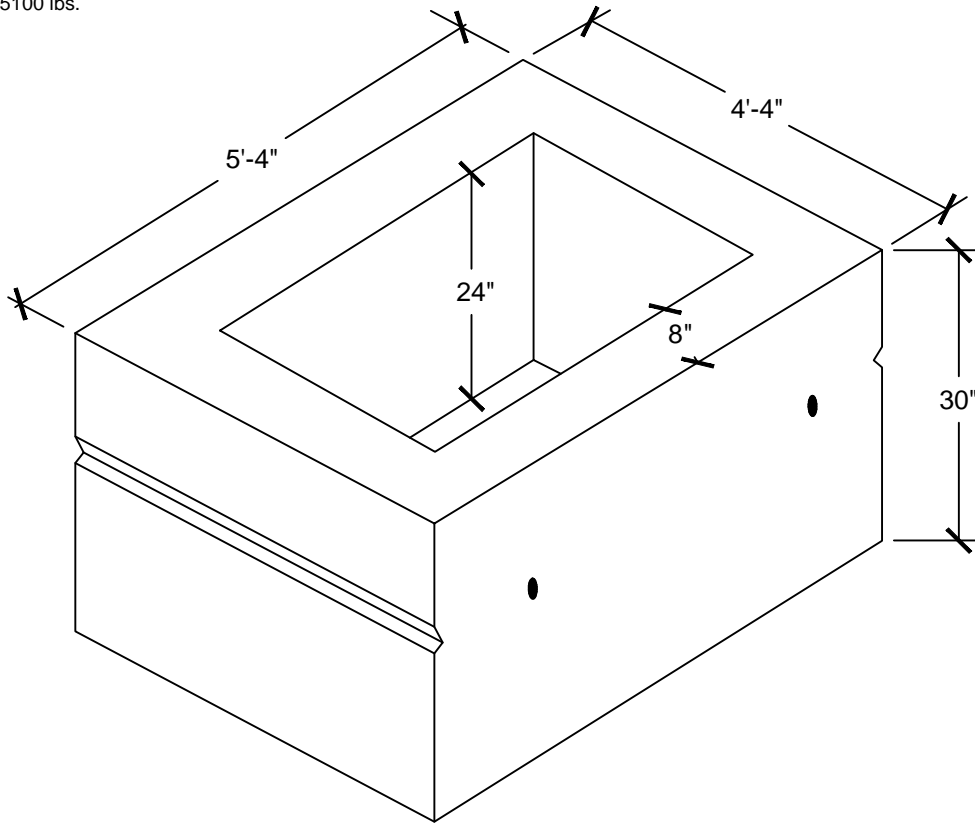


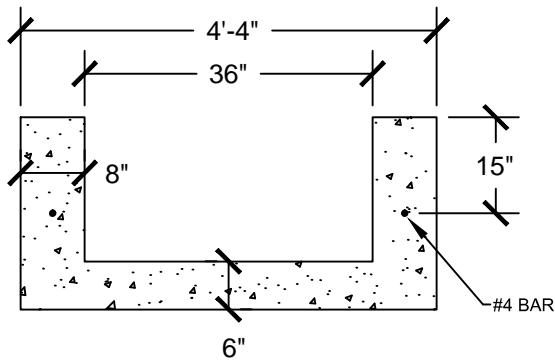
△	11/18/13	XXX	REV_DESC	LJH	WHR	JML
REV	DATE	DES	REVISION DESCRIPTION	CADD	CHK	RW

**24" SUMP (NON STATE)**

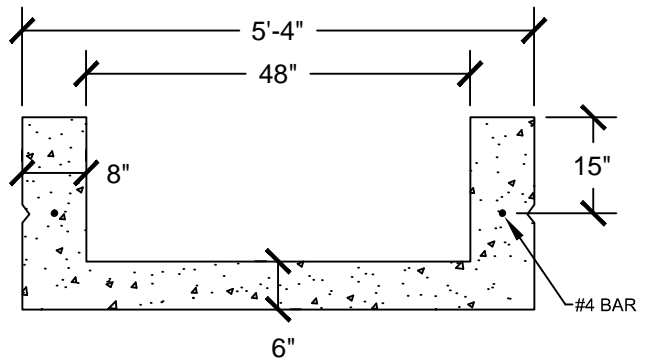
30" OUTSIDE DIMENSION  
WEIGHT: 5100 lbs.



ISOMETRIC



SHORT SIDE



LONG SIDE

**CLASS "FSC" SELF-CONSOLIDATING CONCRETE  
4,000 PSI**



PROJECT	CLIENT NAME PROJECT INFO				
TITLE	24" SUMP				
DESIGN	BGR	02/12/14	FILE No.		
CADD	LJH	02/12/14	SCALE	AS SHOWN	
REVIEW	MF	12/21/15	REV.	0	
PROJECT No.					

**DRAWING: 24" SUMP**