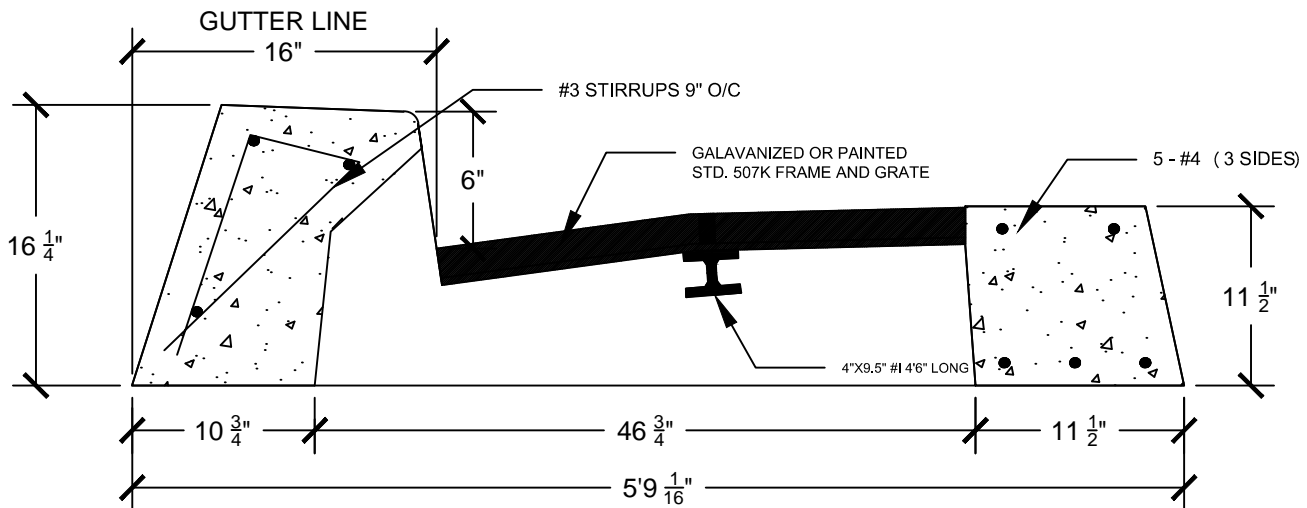
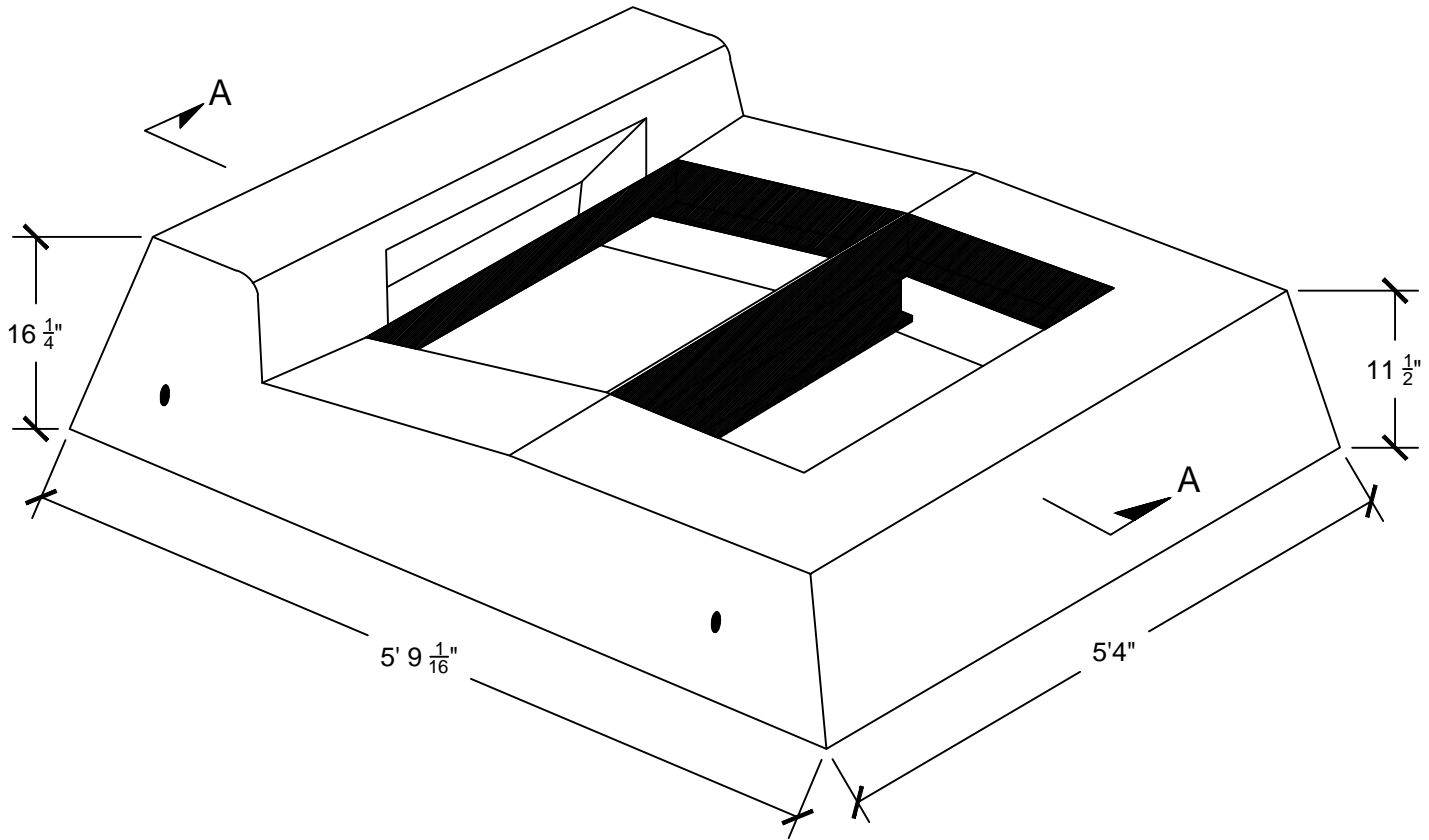


11/04/15	XXX		REV_DESC	LJH	MF	JML
REV	DATE	DES	REVISION DESCRIPTION	CADD	CHK	RWW


TYPE I PLAIN CURB

CONFORMS TO ASTM C913
CT.DOT.STANDARD 507D SPECS



SECTION A-A

**CLASS "FSC" SELF-CONSOLIDATING CONCRETE
4,000 PSI**



**CROMWELL
CONCRETE
PRODUCTS INC.**

PROJECT

TITLE

TYPE I PLAIN CURB CT DOT

DESIGN	BGR	01/21/14	FILE No.
CADD	PJK	04/25/14	SCALE AS SHOWN
REVIEW	MF	11/04/15	REV. 0
PROJECT No.			

DRAWING: TYPE I PLAIN DOT