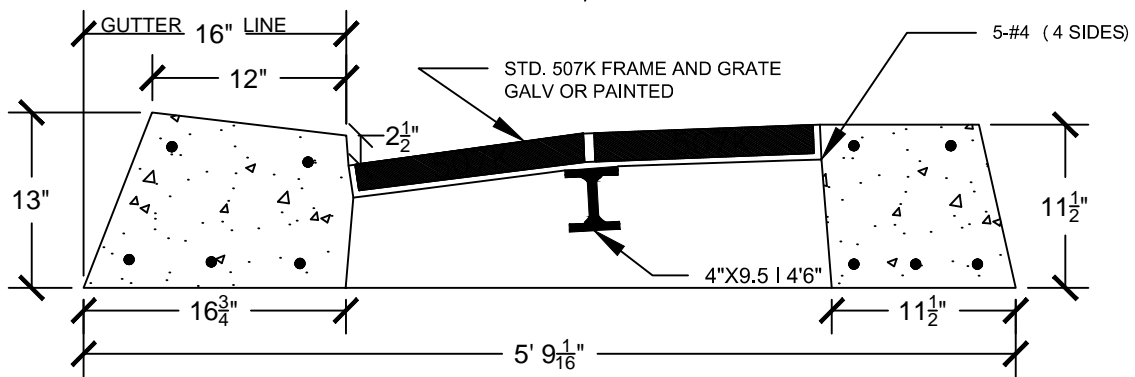
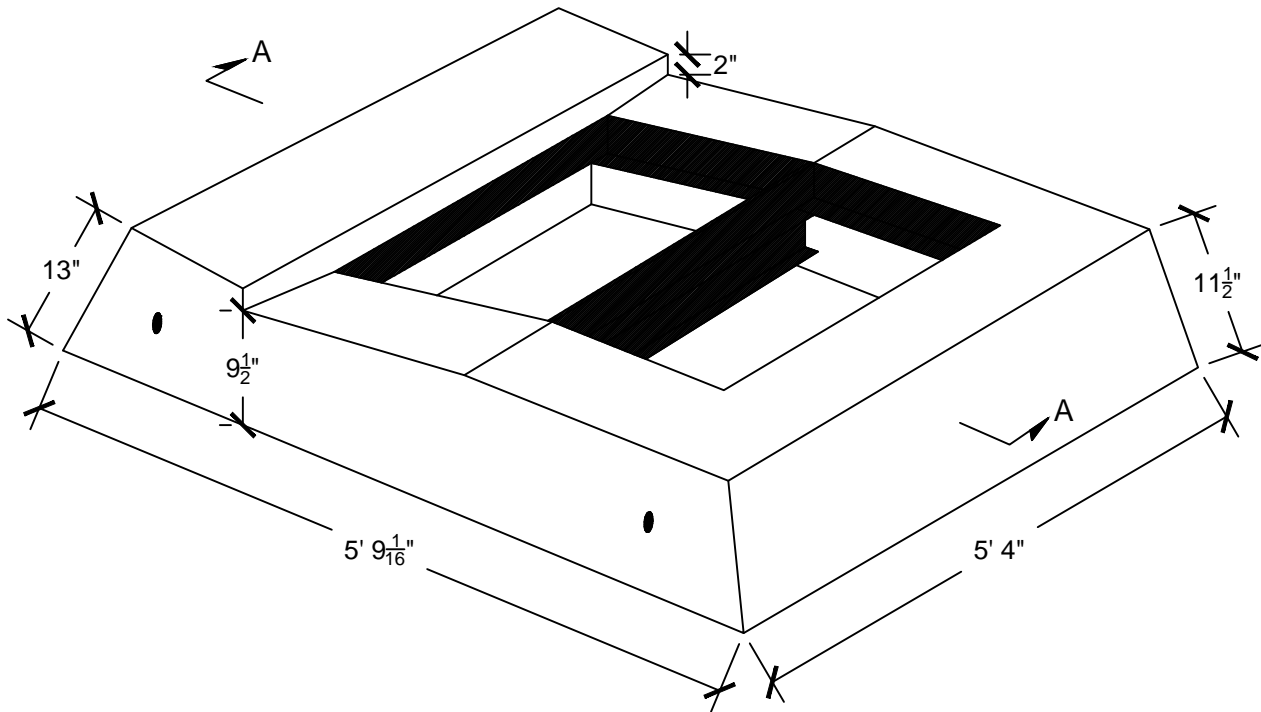


|     |          |     |                      |      |     |     |
|-----|----------|-----|----------------------|------|-----|-----|
| △   | 11/09/15 | XXX | REV_DESC             | LJH  | MF  | JML |
| REV | DATE     | DES | REVISION DESCRIPTION | CADD | CHK | RWW |

# TYPE I CAPE COD

## CT DOT STANDARD 507D SPECS



SECTION A-A

CLASS "FSC" SELF-CONSOLIDATING CONCRETE  
4,000 PSI



PROJECT

TITLE

TYPE I CAPE COD TOP  
CT DOT STANDARD

|             |     |          |                |
|-------------|-----|----------|----------------|
| DESIGN      | BGR | 11/18/13 | FILE No.       |
| CADD        | LJH | 11/18/13 | SCALE AS SHOWN |
| REVIEW      | MF  | 11/09/15 | REV. 0         |
| PROJECT No. |     |          |                |

DRAWING: TYPE I CAPE COD DOT