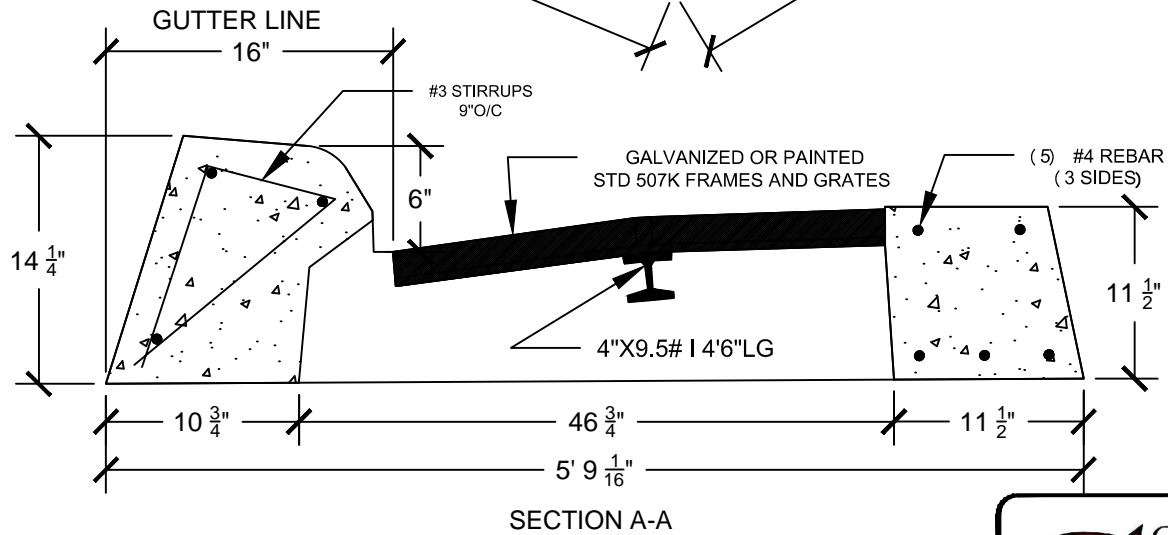
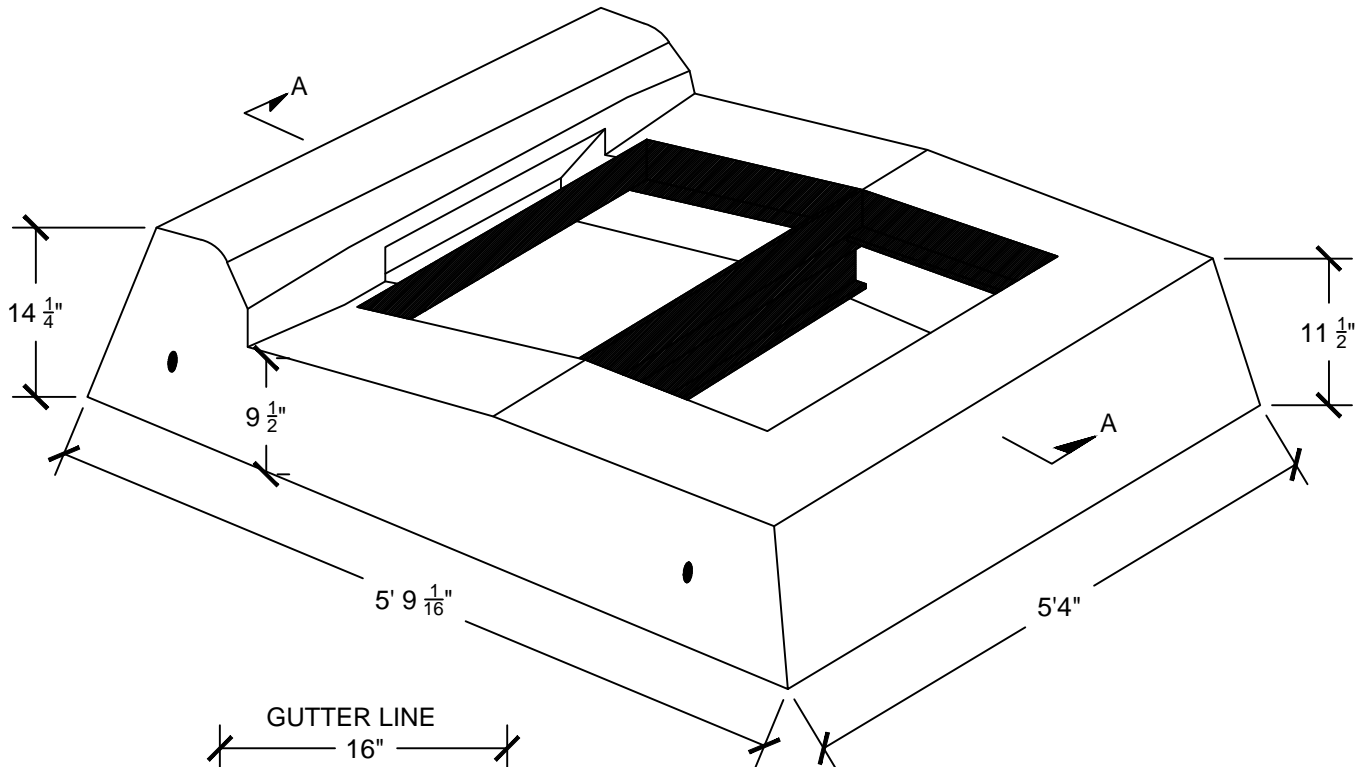



11/06/15	XXX	REV_DESC	LJH	MF	JML		
REV	DATE	DES	REVISION DESCRIPTION		CADD	CHK	RWW

# TYPE I PARK CURB TOP

CONFORMS TO ASTM C913  
CT.DOT.STANDARD 507D SPECS



**CLASS "FSC" SELF-CONSOLIDATING CONCRETE**  
**4,000 PSI**



**CROMWELL  
CONCRETE  
PRODUCTS INC.**

PROJECT

TITLE  
**TYPE I PARK CURB CT DOT**

DESIGN	BGR	01/21/14	FILE No.
CADD	PJK	04/25/14	SCALE AS SHOWN
REVIEW	MF	11/06/15	REV. 0
PROJECT No.			

**DWG: TYPE I PARK CURB**