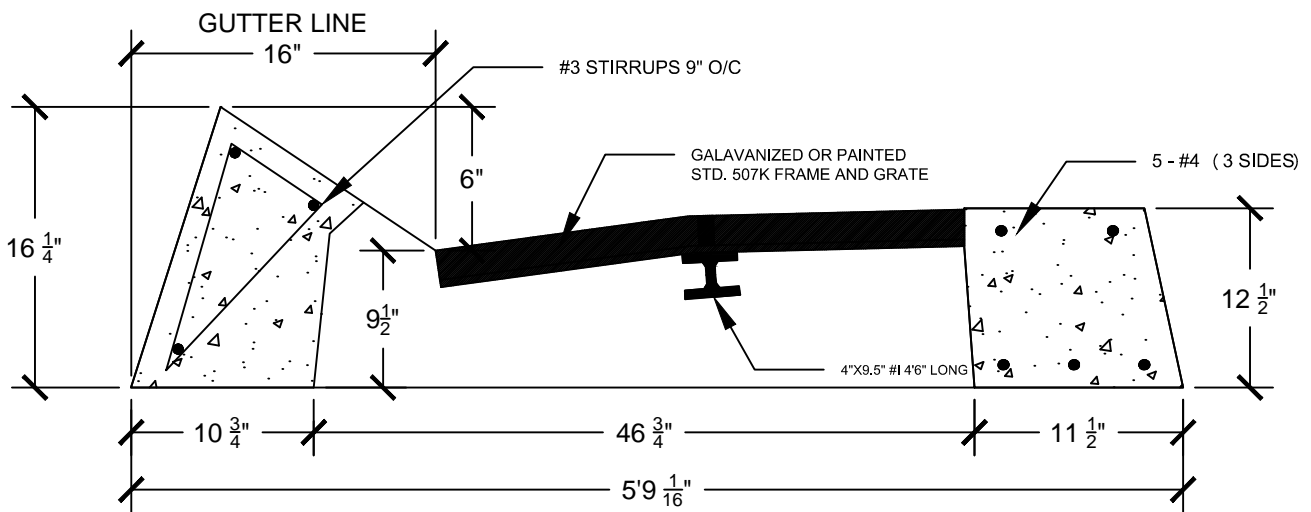
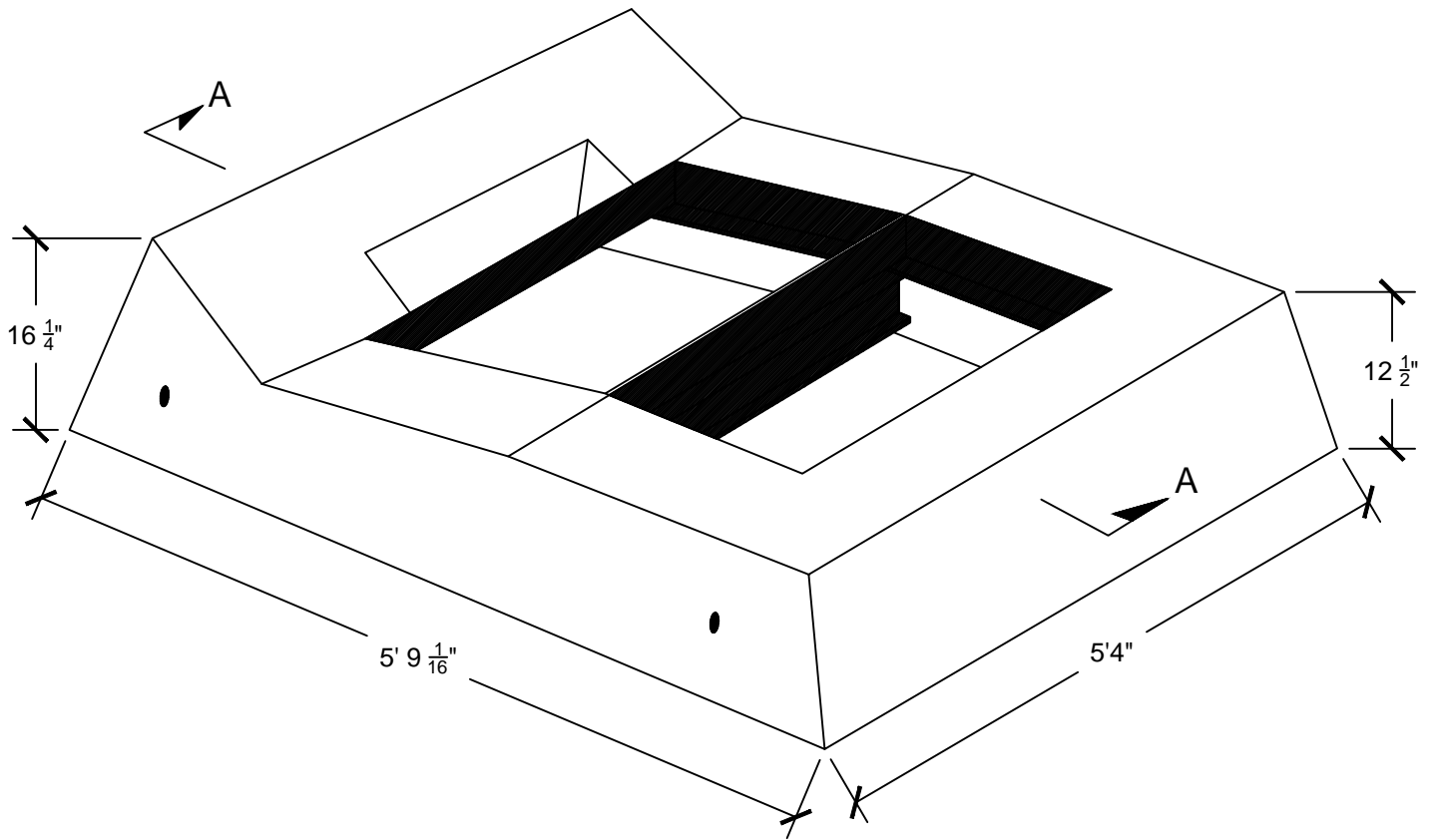


△	11/04/15	XXX	REV_DESC	LJH	MF	JML
REV	DATE	DES	REVISION DESCRIPTION	CADD	CHK	RWW

TYPE I MODIFIED CURB

CONFORMS TO ASTM C913
CT.DOT.STANDARD 507D SPECS



SECTION A-A

**CLASS "FSC" CONCRETE
4,000 PSI**



PROJECT			
TITLE			
TYPE I MODIFIED CURB			
DESIGN	BGR	01/21/14	FILE No.
CADD	PJK	04/25/14	SCALE AS SHOWN
REVIEW	MF	11/04/15	REV. 0
PROJECT No.			
DRAWING: TYPE I MOD			