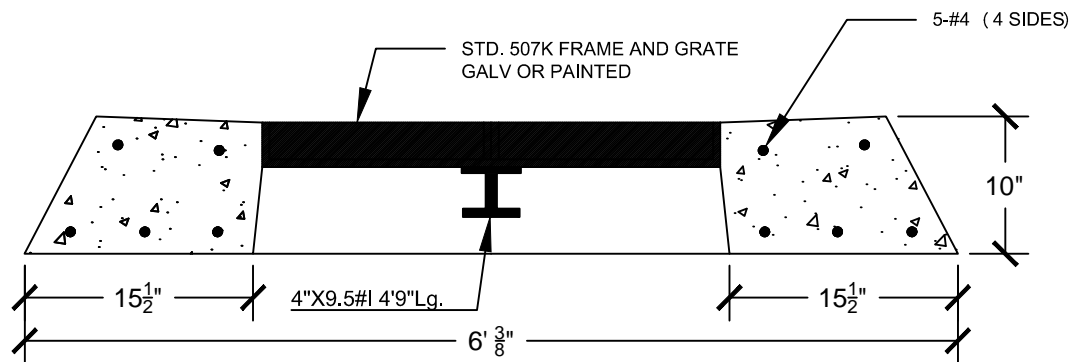
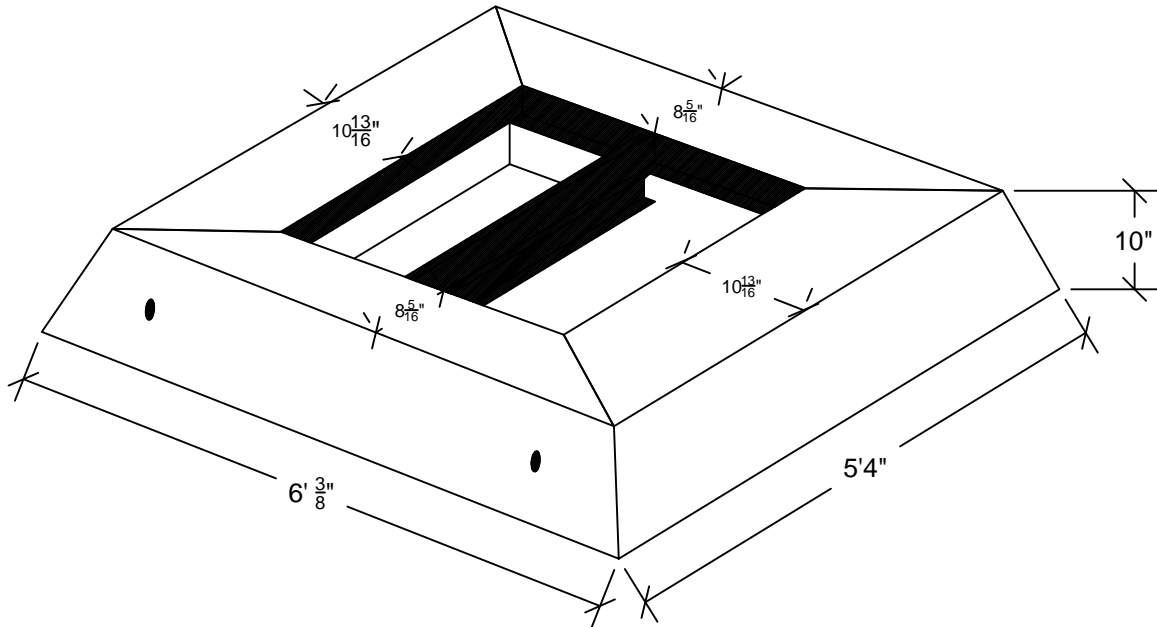



△	11/02/15	XXX	REV_DESC	LJH	MF	JML
REV	DATE	DES	REVISION DESCRIPTION	CADD	CHK	RWW

**TYPE I CL TOP**  
CT.DOT.STANDARD 507D SPECS



**SECTION A-A**

**CLASS "FSC" SELF-CONSOLIDATING CONCRETE  
4,000 PSI**

 <b>CROMWELL  CONCRETE  PRODUCTS INC.</b>			
PROJECT			
TITLE			
<b>TYPE I CL TOP CT DOT</b>			
DESIGN	BGR	11/18/13	FILE No.
CADD	LJH	11/18/13	SCALE AS SHOWN
REVIEW	MF	11/02/15	REV. 0
PROJECT No.			
<b>DRAWING: TYPE I CL TOP DOT</b>			