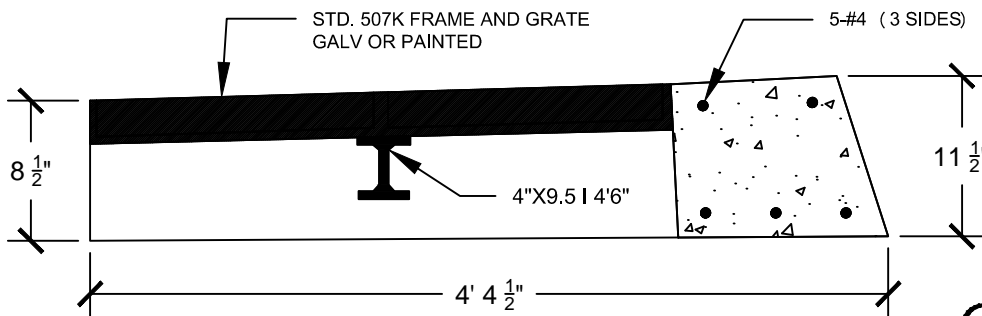
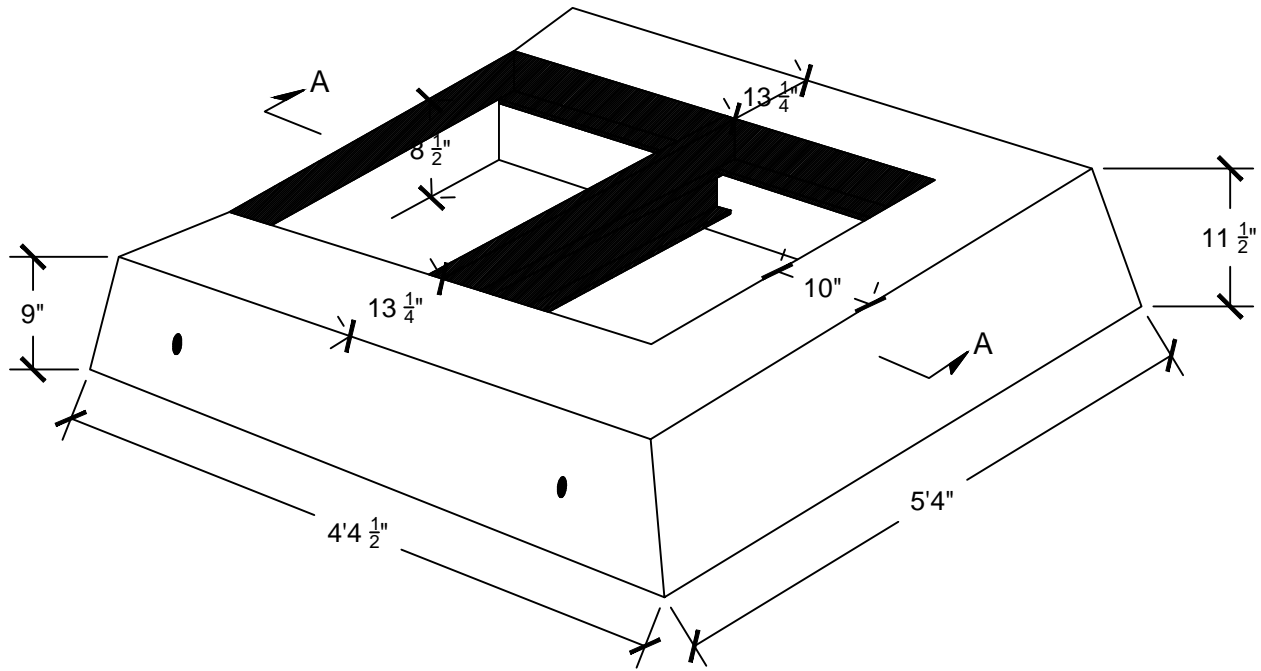


11/02/15	XXX		REV_DESC	LJH	MF	JML
REV	DATE	DES	REVISION DESCRIPTION	CADD	CHK	RWW

TYPE I CMC TOP

CT.DOT.STANDARD 507K SPECS



SECTION A-A

**CLASS "FSC" SELF-CONSOLIDATING CONCRETE
4,000 PSI**

**CROMWELL
CONCRETE
PRODUCTS INC.**

PROJECT

TITLE

TYPE I CMC TOP CT DOT

DESIGN	BGR	11/18/13	FILE No.
CADD	LJH	11/18/13	SCALE AS SHOWN
REVIEW	MF	11/02/15	REV. 0
PROJECT No.			

DRAWING: TYPE I CMC DOT