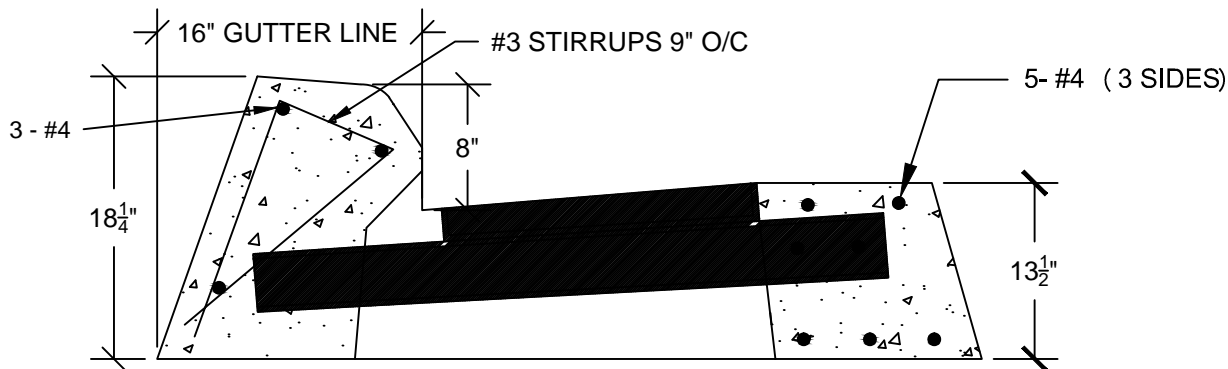
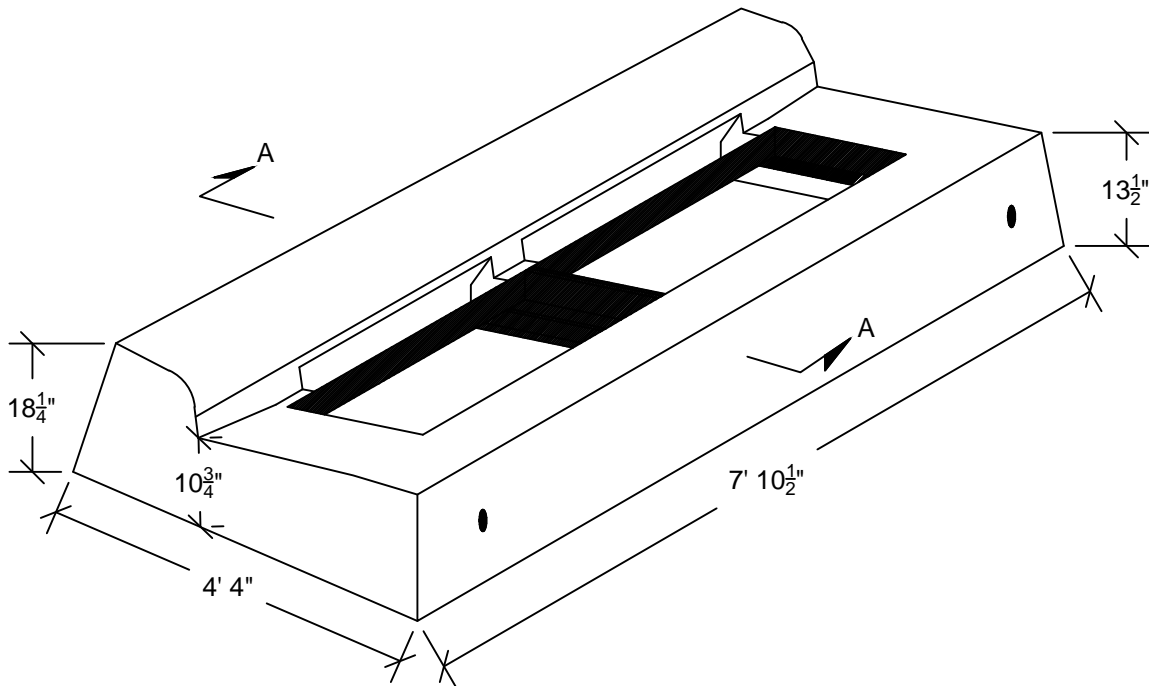



△	11/25/15	XXX	REV_DESC	LJH	MF	JML
REV	DATE	DES	REVISION DESCRIPTION	CADD	CHK	RW

**TYPE II C BIT CURB**  
**PAINTED OR GALVANIZED**  
 MADE TO CT.DOT.STANDARD 507D  
 SPECS



**SECTION A-A**

**CLASS "FSC" SELF-CONSOLIDATING CONCRETE**  
**4,000 PSI**



**CROMWELL  
CONCRETE  
PRODUCTS INC.**

---

PROJECT

---

TITLE

**TYPE II C BIT**

---

DESIGN	BGR	01/23/14	FILE No.
CADD	LJH	01/23/14	SCALE AS SHOWN
REVIEW	MF	11/25/15	REV. 0
PROJECT No.			

---

**DRAWING: TYPE II C BIT**