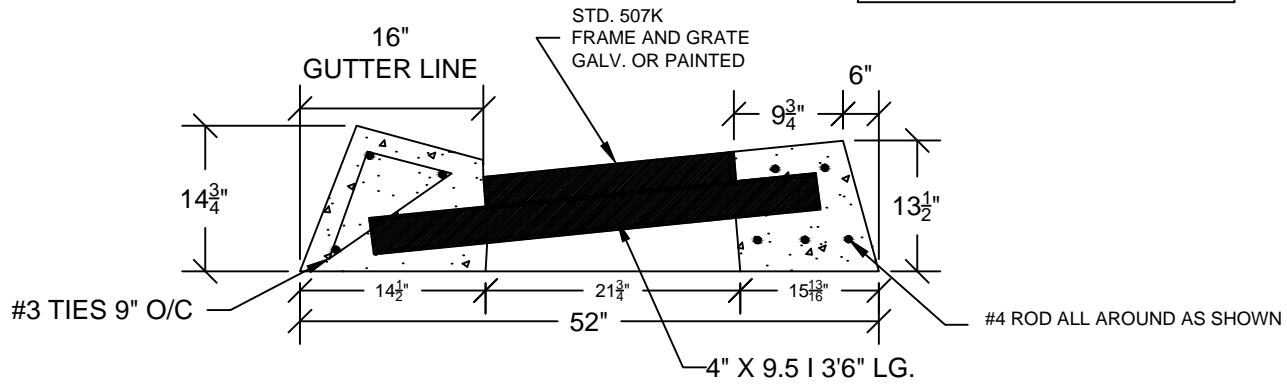
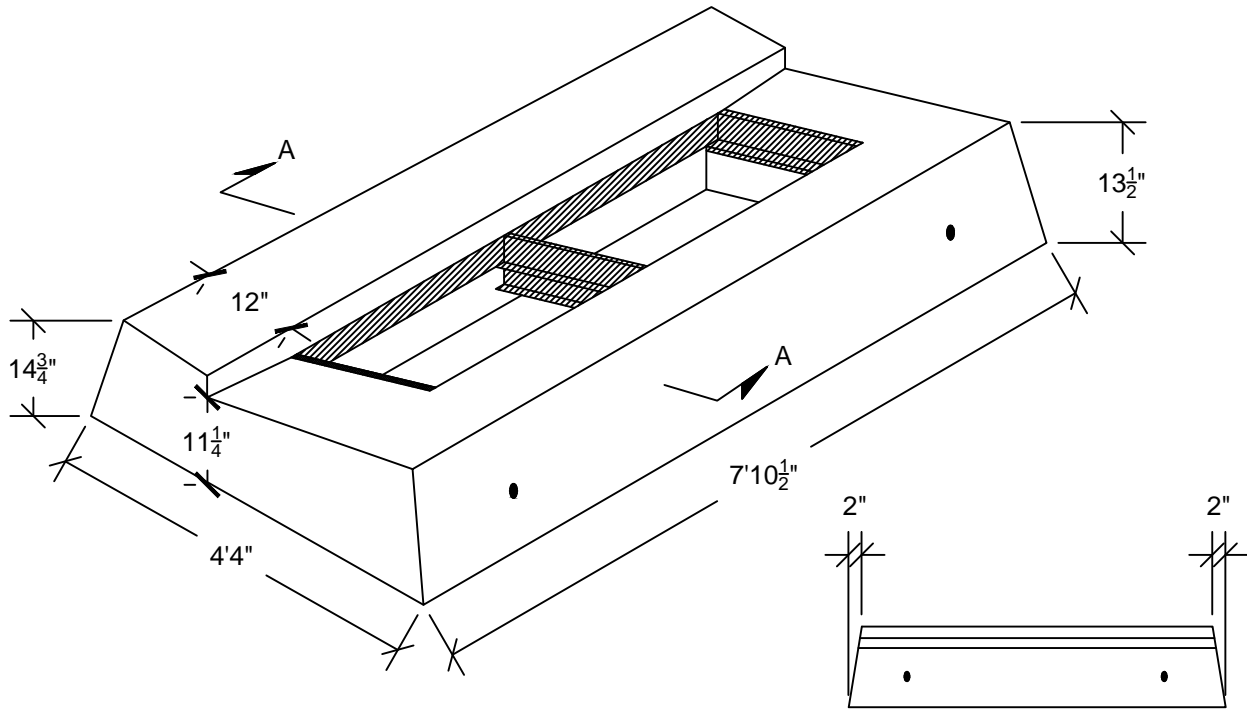



△	11/25/15	XXX	REV_DESC	LJH	MF	JML
REV	DATE	DES	REVISION DESCRIPTION	CADD	CHK	RW

**TYPE II CAPE COD CURB**  
 PAINTED OR GALVANIZED  
 CT.DOT.STANDARD 507D SPEC



**SECTION A-A**

**CLASS "FSC" SELF-CONSOLIDATING CONCRETE  
 4,000 PSI**

 <b>CROMWELL CONCRETE PRODUCTS INC.</b> 667 Main Street Cromwell CT 06416 (P) 860.635.5146 (F) 860.635.7469			
PROJECT			
TITLE			
<b>TYPE II CAPE COD</b>			
DESIGN	BGR	01/23/14	FILE No.
CADD	LJH	01/23/14	SCALE AS SHOWN
REVIEW	MF	11/25/15	REV. 0
PROJECT No.			
<b>DRAWING: TYPE II CAPE COD</b>			