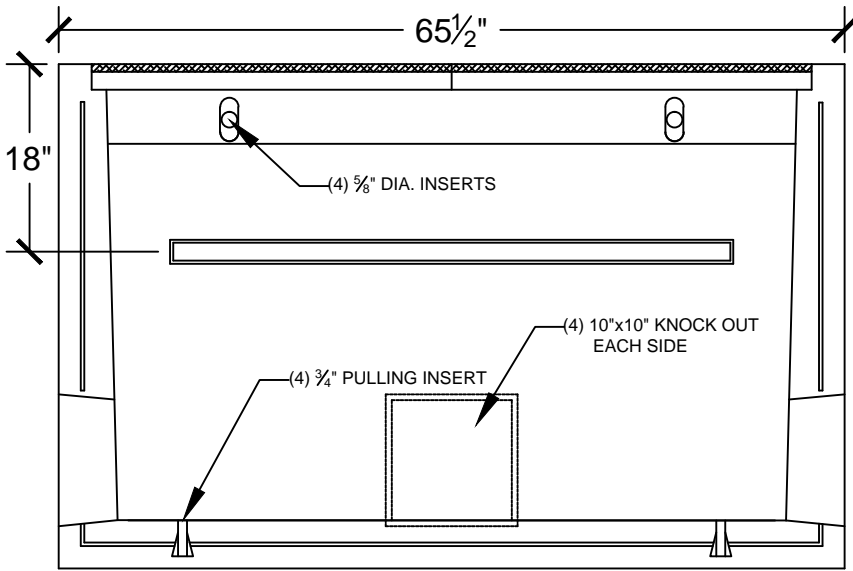
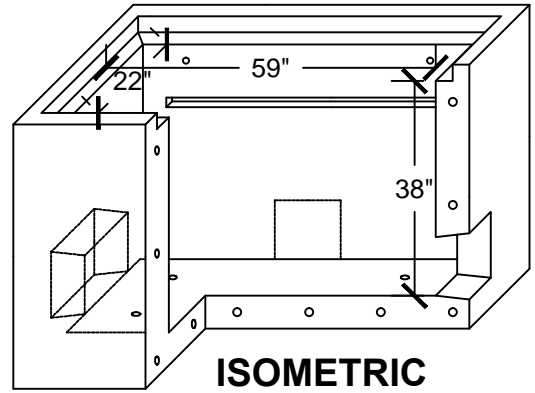
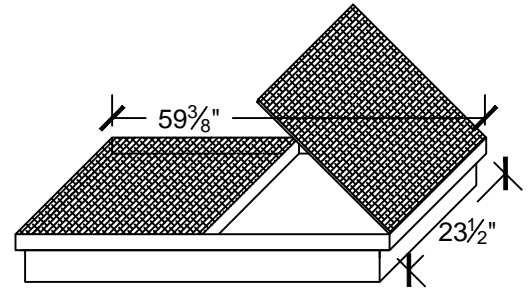
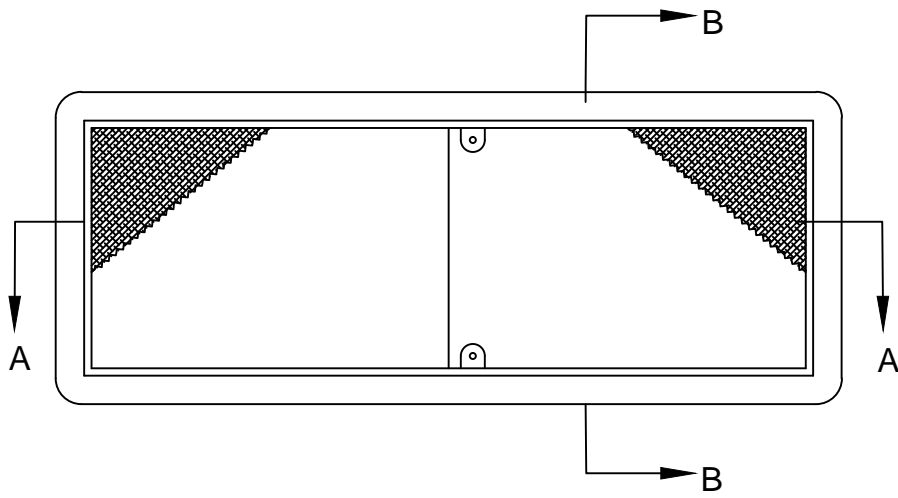


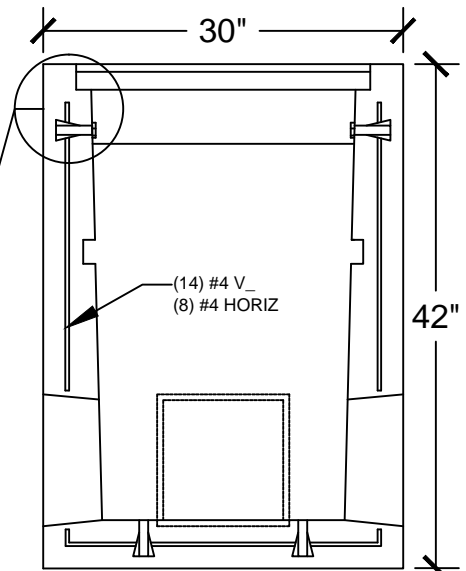
REV	DATE	DES	REV_DESC	MF	WHR	JML
	05/24/16	XXX				
			REVISION DESCRIPTION	CADD	CHK	RVW

COMMUNICATION PULLBOX

ITEM #1015041A



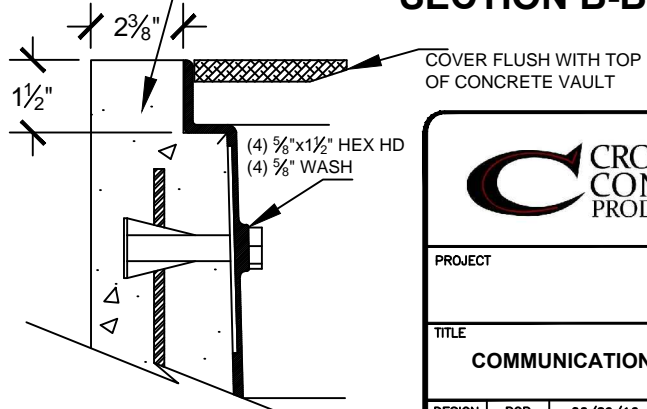
SECTION A-A



SECTION B-B

NOTES:

- DESIGN - AASHTO HS20, WITH STEEL ROOF LATERAL LOAD 54 PCF
- ACI 318 WORKING STRESS DESIGN:
FY = 60,000 (BAR)
FY 4,000 PSI (CONCRETE)
- COVER MATERIAL A36 GALV.
- TYPE "FSC" CONCRETE
- 4000 PSI
- WGT. 3,400 LBS.



COVER FLUSH WITH TOP OF CONCRETE VAULT



PROJECT			
TITLE			
COMMUNICATION PULLBOX			
DESIGN	BGR	06/29/16	FILE No.
CADD	MF	06/29/16	SCALE AS SHOWN
REVIEW	JML	06/29/16	REV. 0
PROJECT No.			

DRAWING: COM PULLBOX