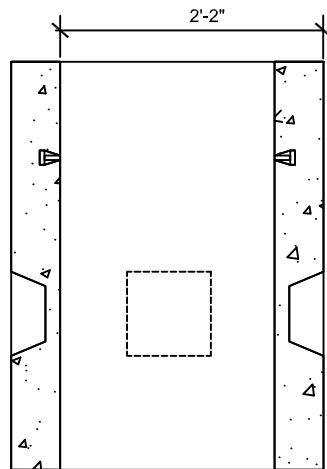
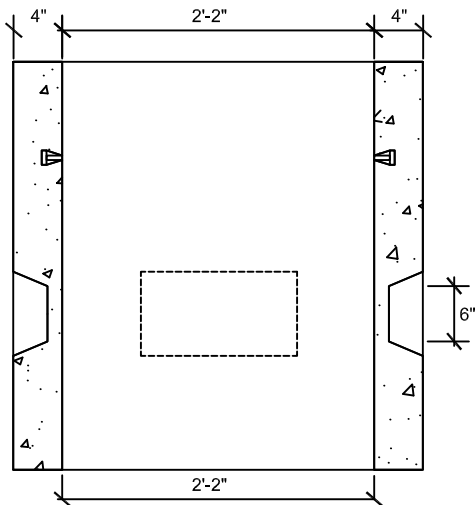
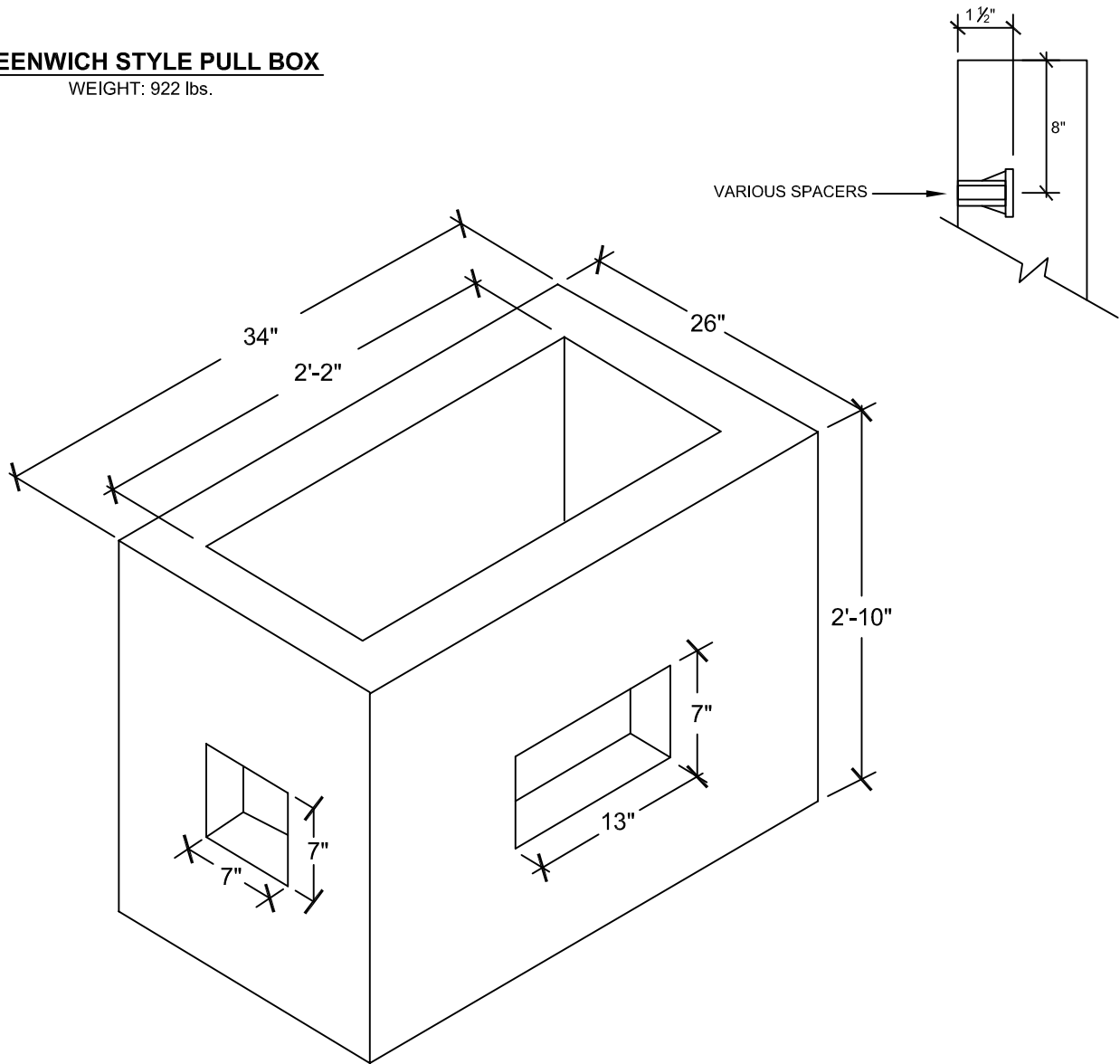


| | | | | | | |
|----------|------|----------|----------------------|------|-----|-----|
| 11/18/13 | XXX | REV_DESC | LJH | WHR | JML | |
| REV | DATE | DES | REVISION DESCRIPTION | CADD | CHK | RVW |

GREENWICH STYLE PULL BOX

WEIGHT: 922 lbs.



**CLASS "F" SELF-CONSOLIDATING CONCRETE
4,000 PSI**

| | | | | | |
|-----------------|-----|-----------|----------|-----------------------------|--|
| PROJECT | | | | CLIENT NAME PROJECT INFO | |
| TITLE | | | | GREENWICH PULL BOX | |
| DESIGN | BGR | 2/13/2014 | FILE No. | | |
| CADD | LJH | 2/13/2014 | SCALE | AS SHOWN | |
| REVIEW | | | REV. | 0 | |
| PROJECT No. | | | | | |
| DRAWING: | | | | | |