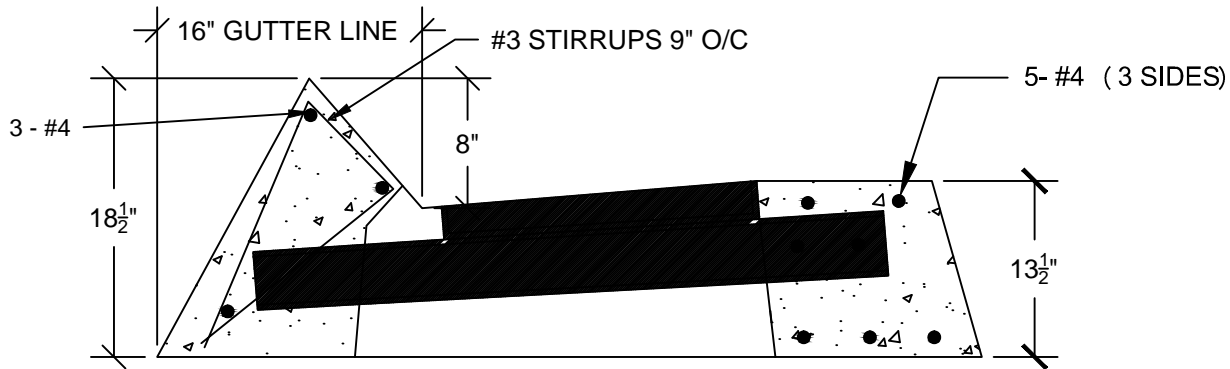
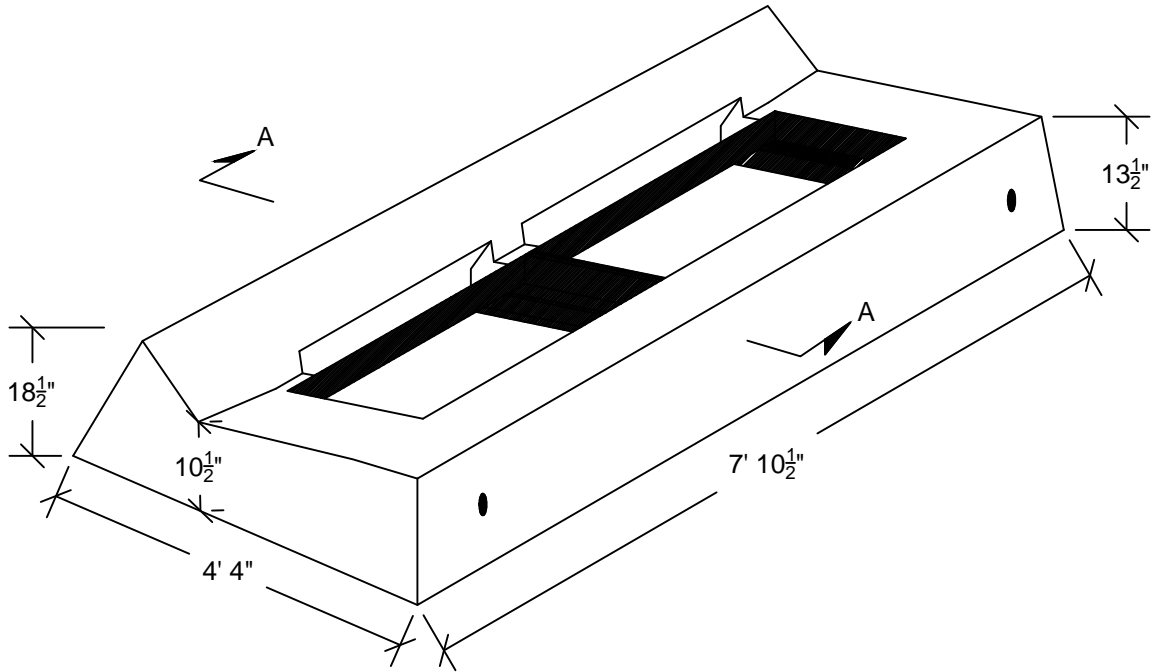


△	11/25/15	XXX	REV_DESC	MF	BGR	JML
REV	DATE	DES	REVISION DESCRIPTION	CADD	CHK	RW

TYPE II MODIFIED CURB
 PAINTED OR GALVANIZED
 CT.DOT.STANDARD 507D SPECS



SECTION A-A

**CLASS "FSC" CONCRETE
 4,000 PSI**



PROJECT			
TITLE TYPE II MODIFIED			
DESIGN	BGR	11/25/15	FILE No.
CADD	MF	11/25/15	SCALE AS SHOWN
REVIEW	MW	11/25/15	REV. 0
PROJECT No.			

DRAWING: TYPE II MOD