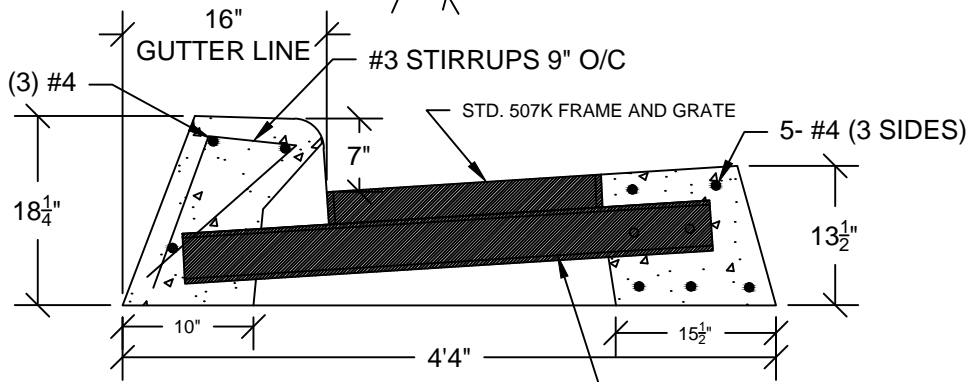
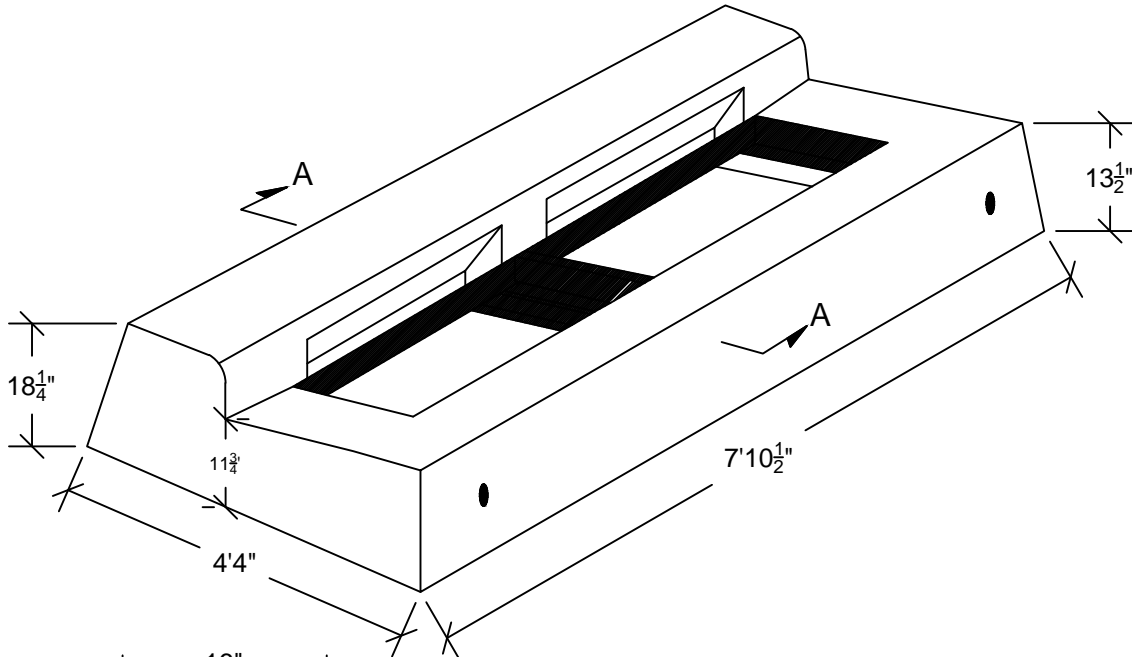


△	11/25/15	XXX	REV_DESC	LJH	MF	JML
REV	DATE	DES	REVISION DESCRIPTION	CADD	CHK	RW


TYPE II PLAIN CURB
PAINTED OR GALVANIZED
 MADE TO CT.DOT.STANDARD 507D
 SPECS



SECTION A-A

4" X 9.5 | 3/16" LG.

CLASS "FSC" SELF-CONSOLIDATING CONCRETE
4,000 PSI



**CROMWELL
CONCRETE
PRODUCTS INC.**
 667 Main Street Cromwell CT 06416
 (P) 860.635.5146 (F) 860.635.7469

PROJECT					
TITLE					
TYPE II PLAIN CURB					
DESIGN	BGR	01/23/14	FILE No.		
CADD	LJH	01/23/14	SCALE	AS SHOWN	
REVIEW	MF	01/25/15	REV.	0	
PROJECT No.					
DRAWING: TYPE II PLAIN CURB					