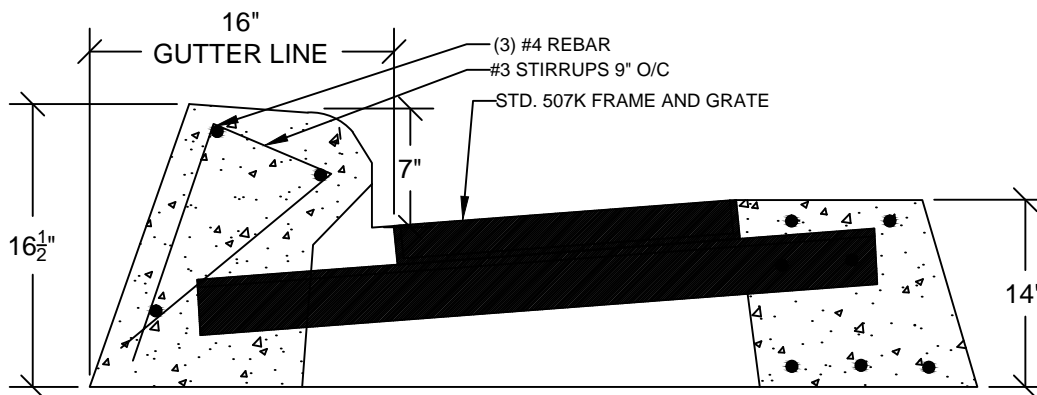
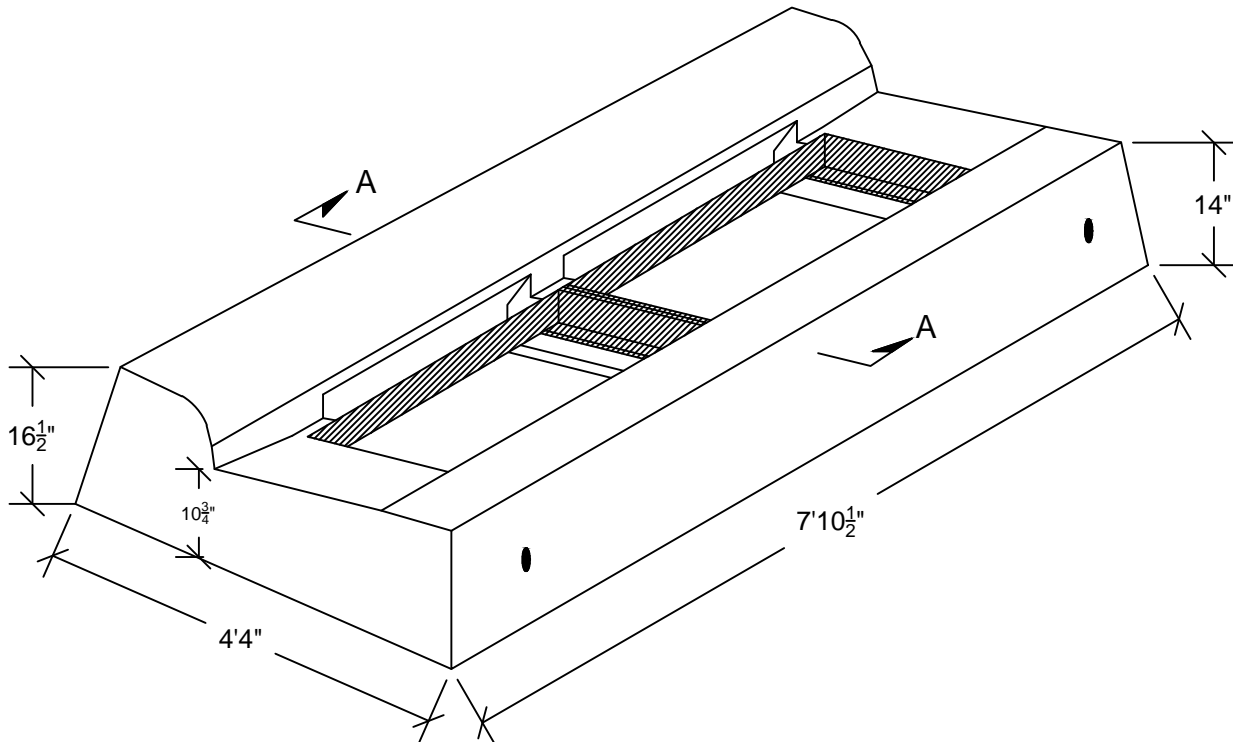


△	11/25/15	XXX	REV_DESC	LJH	MF	JML
REV	DATE	DES	REVISION DESCRIPTION	CADD	CHK	RW


TYPE II PARK CURB

PAINTED OR GALVANIZED
CT.DOT.STANDARD 507D SPEC



SECTION A-A

CLASS "FSC" SELF-CONSOLIDATING CONCRETE
4,000 PSI

 CROMWELL CONCRETE PRODUCTS INC. 667 Main Street Cromwell CT 06416 (P) 860.635.5146 (F) 860.635.7469			
PROJECT			
TITLE			
TYPE II PARK CURB			
DESIGN	BGR	01/23/14	FILE No.
CADD	LJH	01/23/14	SCALE AS SHOWN
REVIEW	MF	11/25/15	REV. 0
PROJECT No.			
DRAWING: TYPE II PARK			