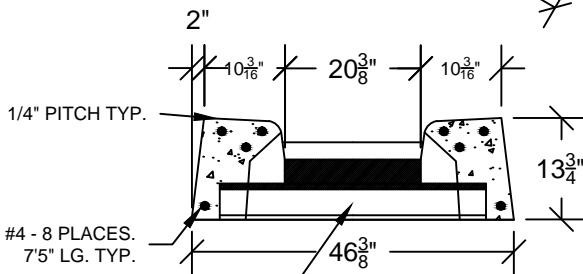
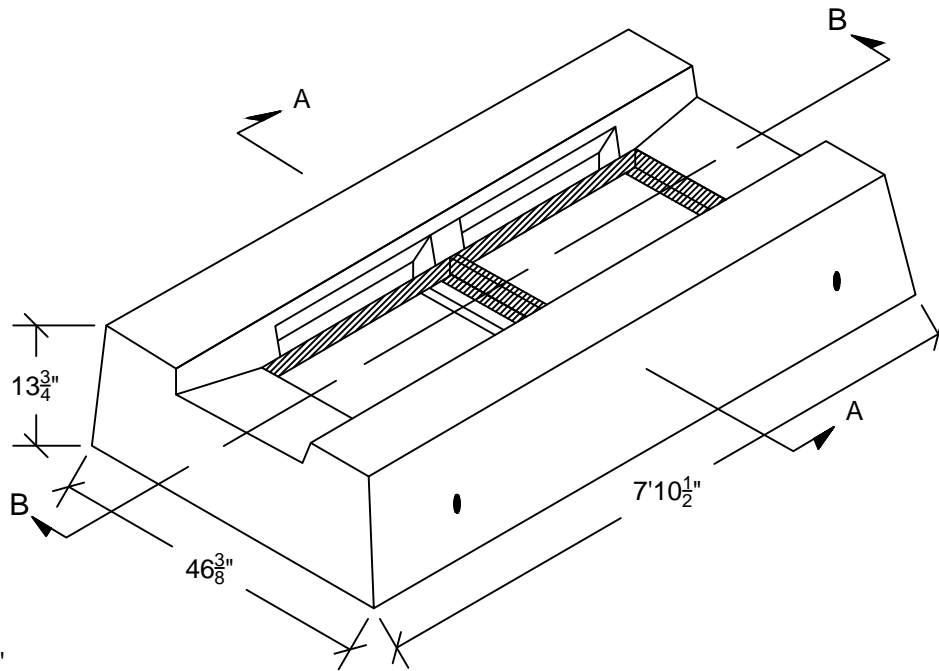
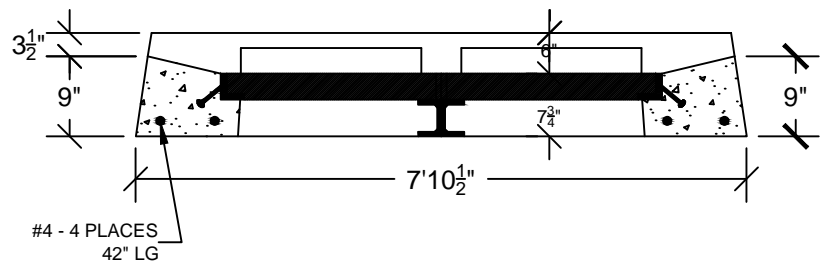


△	11/25/15	XXX	REV_DESC	LJH	MF	JML
REV	DATE	DES	REVISION DESCRIPTION	CADD	CHK	RW

TYPE II CG TOP
PAINTED OR GALVANIZED
TYPE A GRATE
 (WEIGHT: 2400 LBS.)




SECTION A-A



SECTION B-B

CLASS "FSC" SELF-CONSOLIDATING CONCRETE
4,000 PSI



CROMWELL CONCRETE PRODUCTS INC.
 667 Main Street Cromwell CT 06416
 (P) 860.635.5146 (F) 860.635.7469

PROJECT			
TITLE			
TYPE II CG TOP			
DESIGN	BGR	01/23/14	FILE No.
CADD	LJH	01/23/14	SCALE AS SHOWN
REVIEW	MF	11/25/15	REV. 0
PROJECT No.			
DRAWING: TYPE II CG TOP			