

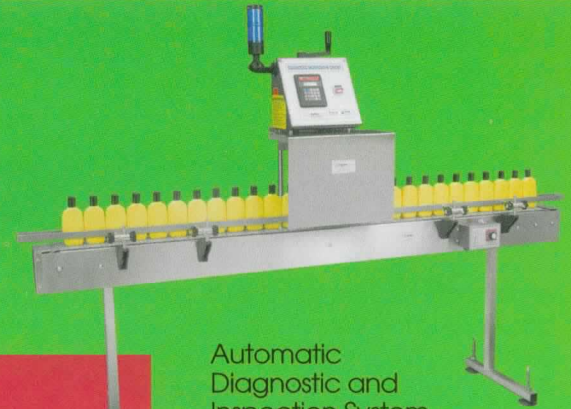
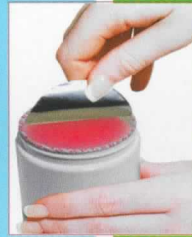
Automatic / Semi-Automatic Portable and Hands-Free Induction Foil Sealers

Smart-Seal® Waterless Cap Sealers

And Bottle Inspection Systems

Full-featured, Field-Proven Waterless Cap Sealers Developed For Demanding Production Lines With On-Line Monitoring Systems

High-Speed
Automatic Sealer
Model AM-250



Automatic
Diagnostic and
Inspection System
Models AM-D and AM-DP



Moderate Speed Automatic
Sealer Model AM-150

Ultra-High Speed
Automatic Sealer
Model AM-500



Semi-Automatic
Sealer Models
AM-50 and
AM-75



FEATURES:

- Self-contained easy to use — no tools... plug-in, set power level and seal
- All digital state-of-the-art designs assure accuracy and repeatability
- Eliminates antiquated analog controls
- Over 9 patents to assure consistent productivity
- No moving parts, noise free, 100% solid state surface-mount electronics for long-life and dependability
- Stainless steel cabinetry and maintenance free construction
- Seals containers of all shapes and sizes
- INSPECTS AND REJECTS DEFECTS® for quality assurance
- In stock for *Fast Delivery*

Your Partner in Productivity and Automation®

 **AutoMate®**
TECHNOLOGIES LLC

THE ORIGINATOR OF THE "WATERLESS CAP SEALER"®

AUTOMATIC WATERLESS INDUCTION FOIL SEALERS

AutoMate's Proven SMART SEAL® Waterless Cap Sealers®.
Accommodates All Your Sealing Needs
While Outperforming All Others — From the Originator of the
“Waterless Cap Sealer®”

“WATERLESS” — NO WATER COOLING REQUIRED — Eliminates radiators, pumps, fan belts, water tubing, water corrosion, spills.

Standard Stainless Steel Portable Design — Ideal for all industries including: pharmaceutical, food, chemicals, beverages, cosmetics, etc.

Ultra-Compact — Minimal space requirements. The smallest most powerful WATERLESS CAP SEALERS in the industry.

High Efficiency — Exclusive design puts the power into sealing, not into wasted heat requiring water cooling. Lower wattage required for most applications. Built in power save mode minimizes energy consumption based on line speed and production use.

User Friendly — An all digital control panel allows operator to easily set-up and operate sealer for quick changeovers. Exclusive features such as menus, recipes, sensors and indicator lights allow for quick set-ups. No moving parts. No tools required. Remote controls available. Capable of handling most containers and caps on one machine.

Complete Line Integration — Accomplished with a built-in microcomputer at no extra cost. This allows interfacing with other in-line equipment. AutoMate offers remote control, RS-232 interface, statistical analysis retrieval, missing foil detection and rejection, skewed cap, loose cap, missing cap and stalled bottle detection, etc.

Competitive Pricing — The AutoMate sealers are priced to be well within everyone's budget. They are the most competitively priced, built to last sealers with more standard and advanced features than any other sealer available. AutoMate uses stainless steel where others use aluminum and/or plastic.

Unsurpassed Performance — Leading-edge technology and designs minimize power consumption. Over 16 years of extensive Research and Development has led to AutoMate's exclusive patented designs and features, setting AutoMate apart from other “Waterless” sealer imitations. Our Sealer Technology is protected by over 9 patents surpassing other similar machines in reliability and performance, making your production line more efficient.

Versatile — Accommodates all container materials including: PE, PP, PET, PS, PVC, Metal and Glass. Seals all cap materials, including plastic and metal.

IQ-OQ — Professionally prepared validation and documentation assistance available to suit your exact needs. (See page 4).

Hi-Tech Microprocessor — Controls and compensates sealing power—detects low power conditions/brownouts—automatically adjusts for varying loads to maintain correct sealing power. Indicator LEDs display setup and machine status. Over 23 possible faults are displayed on LED screen.

Maximum Power Output — Beware of inexpensive sealers that offer 2KW of power or less. The Model AM-250 and Model AM-500 offers more output power than any other “Waterless” sealer available today. Maximum power output enables the user versatility for difficult applications and the ability to meet future production requirements.

Self Calibration — All sealing machines containing electronics need to be calibrated. ONLY AutoMate Sealers have a built-in “STANDARD” calibration feature to verify that the sealer is performing to its maximum requirements and accuracy based on YOUR line voltage.

- 1 Displays Lot, Batch and Total Bottles Sealed
- 2 Time and Date Retained For Printout
- 3 User Friendly Menus and Recipes Stored
- 4 Stalled Bottle Detector (Patented)
- 5 Missing Foil/Seal Detection (And Rejection)
- 6 Multi-Language Capability English, French, Spanish
- 7 Loose and or High/Crooked Cap Detection (And Rejection)
- 8 Consecutive and Excessive Fault Detection
- 9 Exclusive, Tool-less, Rejection System
- 10 Self-monitoring Conveyor Speed Detection and Alarm System
- 11 Computer Interface With Statistics for Printout
- 12 On-Screen Statistics For Operator Viewing
- 13 Ultra Sensitive Foil Temperature Monitoring (Pat. Pend.)
- 14 High and Low Temperature Limits For Bottle Rejection
- 15 RS-232 Printer /Computer Connection For Easy Documentation
- 16 IQ-OQ Validation Package
- 17 Exclusive LED “Pulse” Monitoring System (Pat. Pend.)
- 18 Load Sensitive Operator Assist LED Bar Graph (Pat. Pend.)
- 19 Energy Saving Mode Minimizing Power Consumption
- 20 On-Screen Displays Bottle Counter and Rate Meter
- 21 Tool-less Plug-In Electronic Manifold For Future Expansion & Service
- 22 Sealed Electronics Insures Protection for Demanding Environments
- 23 Models Available From 1500 W To 5000 W For All Applications
- 24 Real Time Temperature Display (In Both °F and °C) Assures Quality
- 25 A True Waterless Electronic System
- 26 Top Quality Advanced Surface Mounted Electronics For Reliability
- 27 State-Of-The-Art IGBTs For Increased Efficiency
- 28 Easy Viewing Indicator Light and Alarm Stack
- 29 Front Panel Status LED Indicators
- 30 Interlocking Safety Switches, Guarding And Lockouts
- 31 Batch Preset - Advises When Run Is Complete
- 32 Remote Control (Up to 75 feet)
- 33 Specific Line Voltage Self Calibration Electronics

AutoMate Exclusive SMART-SEAL® Features

ONLY AutoMate Sealers have a standard built-in Calibration function

Production printouts in English / Spanish / French

Compact patented design allows sealer to be placed easily into tight existing lines

Adjustable head height from vials to gallons

Remote Control

Main power lockout

Model AM-250 and Model AM-500

Several patented sealing heads can accommodate all applications up to 120mm inside diameter cap sizes (see page 8)

One piece heavy duty welded portable frame on casters is standard

Stainless steel variable speed conveyors for all applications (Optional)

Stainless steel levelling screws with floor pads (Standard)

Model AM-150 Moderate Speed Automatic WATERLESS CAP SEALER shown with optional conveyor

AutoMates Proven SMART -SEAL® Waterless Cap Sealer, Accommodates All Your Sealing Needs While Outperforming All Others — From the Originator of the “WATERLESS CAP SEALER®”

Graphic LED Display With User-Friendly, Easy To Operate Controls. Includes numerous SCREENS to easily aid the operator in setup, operation and maintenance of the AutoMate induction sealer (Some sample screens shown)

AUTO-MATE Sealer Model AM-250	Excess Fault Limit 0015	Reject 2 Duration 0.2 Sec	Low Temp Faults 0000	Temp Probe Type VDC
Power Level = 45% BPM=130 Batch=001823	Consecutive Faults 03	Conveyor unit/Min FPM	Temp High Limit 130 F	Total Faults 0012
Lot Number 06212003	Exclusive SMART-SEAL® load sensitive operator assist LED bar graph for easy operator set up. This unique graph meter, which operates separately from the programmed sealer, helps provide the best seal possible by indicating to the operator how much power is being used, and how much is needed depending on the cap seal and conveyor speed used.		Bottle Status: FOIL, BOTTLE, STALL, GUARD, COVER, AUX, TEMP, LOGIC	Stall Faults 0000
Batch Preset 3500				Missing Foil Faults 0005
Total Bottles 001823				Skewed Cap Faults 0007
Date and Time 03/21/06 12:04 PM				High Temp Fault 0000
Select recipe 3				Temp Low Limit 125 F
English, Spanish, French	Fault Reject Setup	Select Pulse/Encoder Encoder	Current Temp Value 125 F	Power Save Setting 20 Sec
Stall Timer 03.0	Reject 1 Duration 0.2 Sec	Display Statistics	Degrees Type F/C F	Conveyor Speed Set 075.0 FPM

AUTOMATIC WATERLESS INDUCTION FOIL CAP SEALER

Integral Cap Inspection/Rejection System For Increased Quality Control! Only AutoMate "Detects and Rejects Defects"®

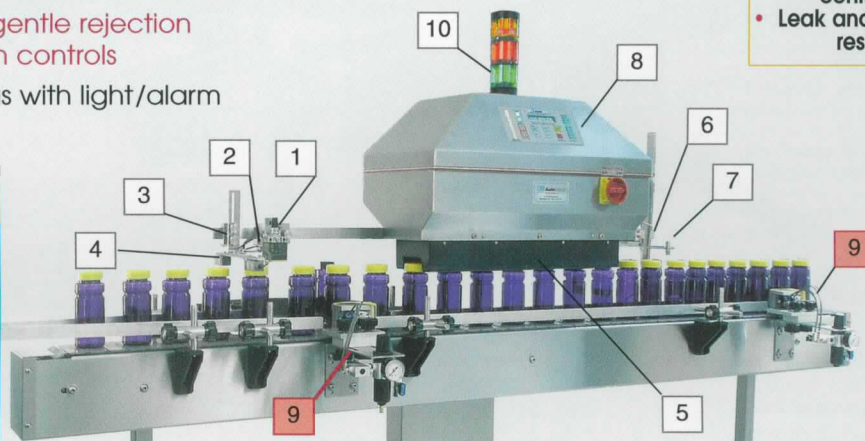
Inspection System Checks For:

- 1 Cap presence or absence
- 2 Foil presence
- 3 Loose caps
- 4 Crooked caps
- 5 Stalled bottle/cap under sealing head
- 6 Low foil seal temperature (Patent pending)
- 7 High foil seal temperature (Patent pending)
- 8 Microprocessor displays and prints statistics of inspection data and faults.
- 9 Fully AutoMated gentle rejection system with built-in controls
- 10 Fault/Reject status with light/alarm

USE AutoMate® INDUCTION SEALERS TO KEEP YOUR PRODUCT:

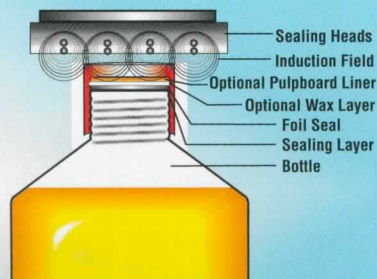
- Tamper evident
- Hermetically sealed
- Maintained fresh
- Free from oxidation and contamination
- Sealed for consumer confidence
- Leak and evaporation resistant

Integral Cap Inspection/Rejection System



HOW THE SMART-SEAL® WORKS

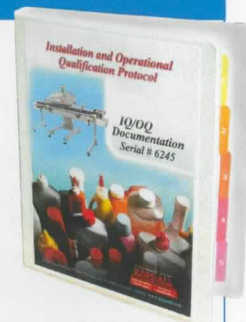
Utilizing the caps pressure on the liner under the cap, the AutoMate Model AM-50, AM-75, AM-150, AM-250 and AM-500 heat the foil seal and sealing layer utilizing an electro-magnetic field through the cap. This method will heat the foil seal and also melt the optional wax layer and allow the polymer film and foil seal to be fused to the container. This will give a tamper evident hermetic seal when the cap is removed. This process is extremely efficient and fast. The electro-magnetic field produces no heat itself and therefore does not interfere with the product. Sealing rates using this process



can be in excess of 40+ bottles per minute for the Semi-Automatic Sealers and 500+ bottles per minute for the Automatic Sealers.

IQ-OQ Documentation

Professionally prepared IQ/OQ (Installation/Operation Qualification) protocols presented in a detailed format suitable for all bottlers seeking easy, quick, professional validation and documentation of their cap induction sealer. (Available for all models)



- Before AutoMate**
- Water-Cooled Cap Sealers
 - High Energy Consumption
 - Large, Bulky Design
 - Low Sealing Power
 - Expensive Price Tag
 - Long Delivery Time
 - Pumps, Tanks, Fan Belts

- AutoMate - The Originator of the Patented "Waterless Cap Sealer"®**
- Low Energy Consumption
 - Compact Design
 - High Sealing Power (2500 Watts)
 - Low Cost
 - Fast Delivery
 - No Pumps, Fan Belts, Water Tanks

- AutoMate SMART-SEAL®, Full-Featured "Waterless Cap Sealers"**
- More Sealing Power (1500 - 5000 Watts)
 - More efficient, More features, More compact
 - Lower price with built in cap inspection and rejection system
 - Protected with over 9 patents and several patents pending
 - Sealed / Gasketed Electronics
 - User friendly

Present
AutoMate is the ONLY source providing Mid to High Power Automatic, and Semi-Automatic models to meet your specific production needs. Only from AutoMate comes time-saving and efficient patented features offered as standard equipment, such as Self-Calibrating Electronics for top performance

Evolution Of Waterless Cap Sealers

1980's

Early 1990's

2003 (State-of-the-art sealers)

2005

SEMI-AUTOMATIC, HANDS-FREE WATERLESS CAP SEALER

The Originator of the "WATERLESS CAP SEALER"™

SMART-SEAL®
Microprocessor
Controlled
Models AM-50
and AM-75



Model AM-50 and AM-75 — Check these Standard and Exclusive Hand Sealer Features:

- Easy to use soft touch key pad with display screen shows:
 - Power level displayed in percentage of full scale
 - Sealing time in 0.1 second increments
 - Batch count and batch preset alarms
 - Displays the total number of bottles sealed
 - Operator programmed recipes and menus allow quick /easy adjustments between applications
 - Screens displayed in 3 languages (English - Spanish - French)
- Standard Missing Foil Detector with audible and visual alarms (can be operator activated and deactivated)
- Touch button calibration mode to set the sealer accurately to your exact line voltage
- Sealer can operate on either 125V, 1 Phase or 200-240 V, 1 Phase (Factory set)
- Has integrated interlocking guards for safety with automatic shut-off
- Main power safety switch with lock-out disconnect
- ALL stainless steel heavy duty construction cabinetry (not plastic as seen elsewhere)
- Compact size for easy portability
- One specially designed proprietary sealing head accommodates 5mm up to 100mm caps (no need to purchase extra sealing heads), No Sealing Head Guides or Cores to Buy
- Sealed and gasketed enclosure to protect solid state electronics from outside environment (such as dust and humidity)
- LED display screen with touch buttons for easy use (no old style thumb wheels, toggle switches or dials)
- Visual and audible signals tell when bottle is done sealing. Time counts down in 0.1 second increments on digital display
- Available as 500 watt or 750 watt model to suit your requirements
- Patented stainless steel tool-less sealing head height adjustment with incremental scale for accurate set-up and repeatability. Eliminates the need to hold the sealing head. Sealing head is automatically supported parallel to the cap seal to provide the optimum seal and eliminate operator error
- Automatic photoelectric switch under sealing head eliminates the need for finger switches and foot pedals to start sealing cycle
- Stainless steel "V" stop centering guide for positive bottle placement under sealing head
- Advanced state of the art microprocessor controlled circuitry delivers high efficiency sealing power and long term reliability- Hands free design ensures accurate fast, reliable sealing and eliminates operator fatigue

Portable Field Strength Meters

Sealer Induction Field is easily measured for analysis, ease of verification, validation and performance. (See page 6)

2006

SMART-SEAL® WATERLESS CAP SEALERS

Models AM-50, AM-75 and AM-150

Feature operations panel and graphic LED display with user-friendly, easy to operate controls

- AUTO-MATE Sealer
Model AM-50
- Power Level = 28%
Sealing time - 02.7
- Lot Number
06212003
- Batch Preset
002500
- Total Bottles
001823
- Select recipe
3
- English, Spanish
or French

Scroll thru set-up screens — power level, sealing time, batch count, batch sealed, programmed recipes/menus, change language of screens, enable/disable missing foil sensor, etc.

Checks and alerts operator of missing foil/seal

Easy view operational LEDs for safety, sealing functions and status review

Flashing red light indicates any fault such as: missing foil, cover open, etc.

Green light indicates when sealing is in progress

Adjusts both power level % and sealing times

Shift between set-up functions, reset access screens and counters

NEW HIGH POWER AUTOMATIC WATERLESS INDUCTION FOIL CAP SEALER Model AM-500

The Model AM-500 offers twice the power of the Model AM-250. This allows for very high conveyor speeds and extra demanding cap sealing requirements. The Model AM-500 features the same numerous specifications as the Model AM-250, but with over 5000 Watts of available sealing power. **This is the most powerful "WATERLESS CAP SEALER®" on the market today.** Check the Model AM-250 which has the same features and details for more information.



PORTABLE FIELD STRENGTH METER Model AM-CSM-4*

Easy to operate SMART-SEAL® Portable Field Strength Meter ensures superior quality assurance

The field strength of the Induction sealer can accurately be measured with our exclusive SMART-SEAL® Meter. This state of the art electronic Meter assists in verifying that the sealer is producing the same repeatable sealing field every time, assuring a consistent power output. The Model AM-CSM-4 Meter* also provides analytical sealing data to further assist in validation, documentation and quality assurance of your sealers performance. This Meter will work with all makes and models of induction bottle cap sealers. **Ask for a quote and separate bulletin for more information.**



*Patent Pending

DETECTS AND REJECTS DEFECTS[®] DIAGNOSTIC INSPECTION CENTER

PROVIDING PRODUCT QUALITY ASSURANCE, ACCURACY and INTEGRITY

The Diagnostic Monitoring Center comes standard with stainless steel mount to attach directly onto a conveyor requiring no floor space (Model AM-D), or with its own heavy-duty portable base (Model AM-DP).

DIAGNOSTIC MONITORING FUNCTIONS AVAILABLE:



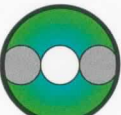
MISSING CAP DETECTOR:

Detects the presence or absence of a cap automatically.



HIGH/CROOKED/LOOSE CAP DETECTOR:

Detects cross-threaded or crooked caps. Also, detects if a cap or dispenser top is not screwed down.



MISSING FOIL LINER DETECTOR:

Detects the presence or absence of an induction foil liner from the cap/container.



BOTTLE COUNTER:

Automatically counts and displays the number of containers as they pass.



BOTTLE RATE METER:

Automatically tracks the containers as they pass and displays real-time production rates.



COTTON PLACEMENT:

Detects missing cotton or high cotton placement which might interfere with proper capping.



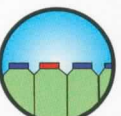
BAR CODE VERIFICATION:

Detects missing or incorrect bar codes for the product being packaged.



MISSING LABEL DETECTOR:

Automatically detects the presence or absence of labels.



COLOR VERIFICATION:

Automatically detects if the cap, label, container, etc. is the correct color for the product being packaged.



MISSING NECK BAND DETECTOR:

Automatically verifies the presence or absence of neck bands.



OPEN CARTON FLAPS:

Automatically verifies that carton flaps are in place.



STALLED BOTTLE DETECTOR:

Internal software with external sensors, detects backup of containers downstream.



DEFECT COUNTERS:

Monitors the type and quantity of each fault detected to aid in determining the location and correction of the problem.



CUSTOM VERIFICATIONS AND DESIGNS:

Setups to suit your specific requirements. Custom software can be written for your needs. Call for details.

Available Formats

The AutoMate[®] Diagnostic Monitoring Center can be configured to any of the following formats:

- Provide a signal to an AutoMate rejector, to reject the faulty container off your line.
- Provide a signal to the customer provided rejector, to reject the faulty container.
- Alert the operator that a faulty container has passed and/or has been rejected.
- Provide an output signal for customers further use.
- Custom software can be written for your exact requirements.

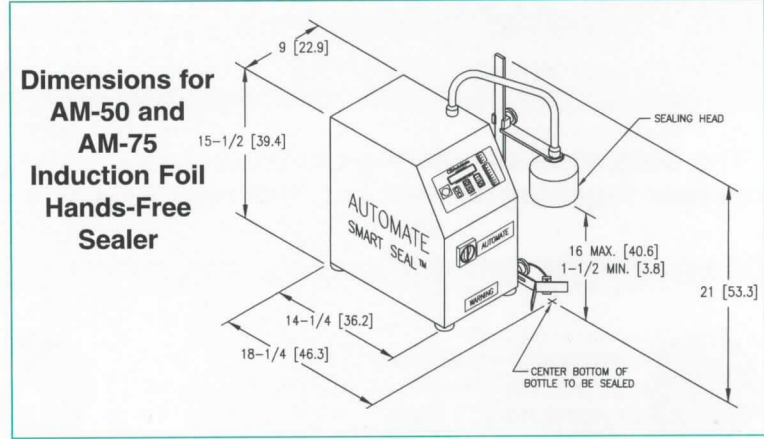
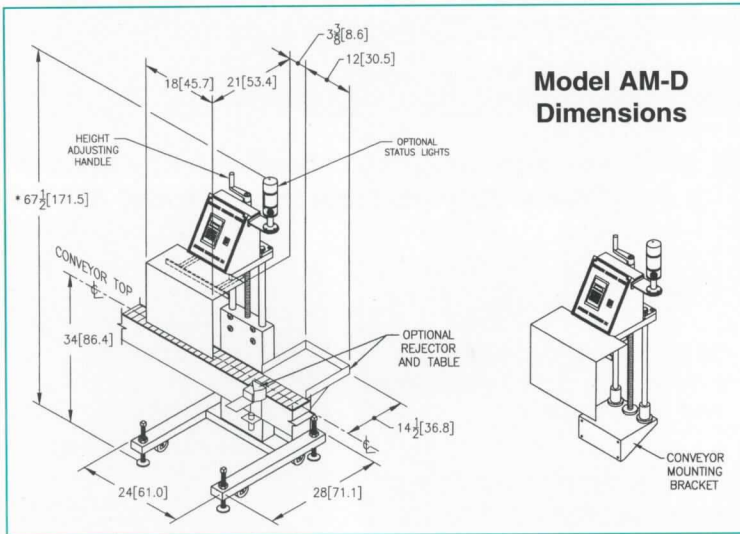


The Model AM-DP Can Roll Up Over An Existing Conveyor or a New Stainless Steel Conveyor built to Your Specifications

Auto-Mate's Diagnostic and Inspection Monitoring Center provides product quality assurance, accuracy and integrity. Quality control is accomplished through user friendly, non-contact, non-destructive testing. Our exclusive reject system allows defects to be automatically rejected. Quick changeovers are easily accomplished by simple knob adjustments with calibrated scales for accurate, repeatable performance.

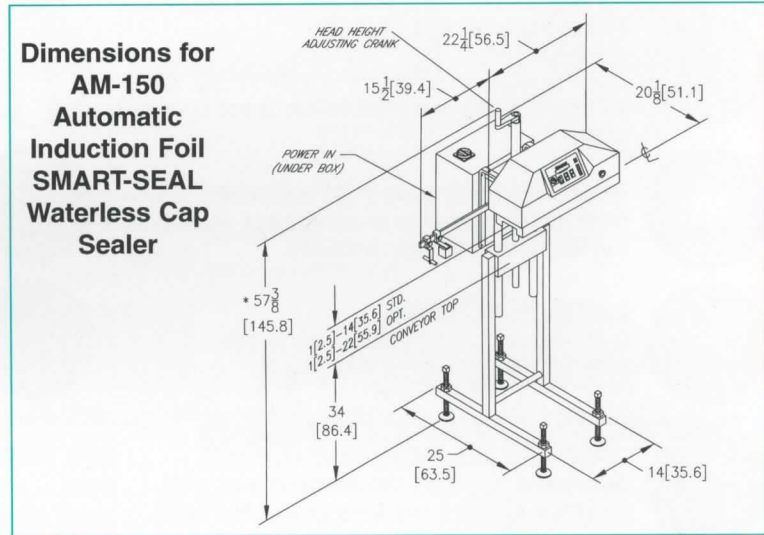


Shown with Optional Conveyor



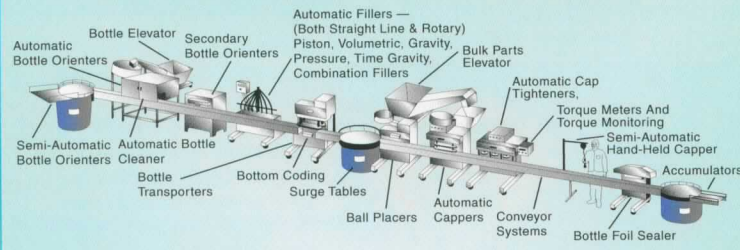
One model handles various cap styles, cap materials and speeds. One model will do it all!
Custom sealing solutions available for difficult applications.

Up to 70mm caps	Specialty caps	Up to 100mm caps	Up to 120mm caps
			Flat head up to 120mm caps



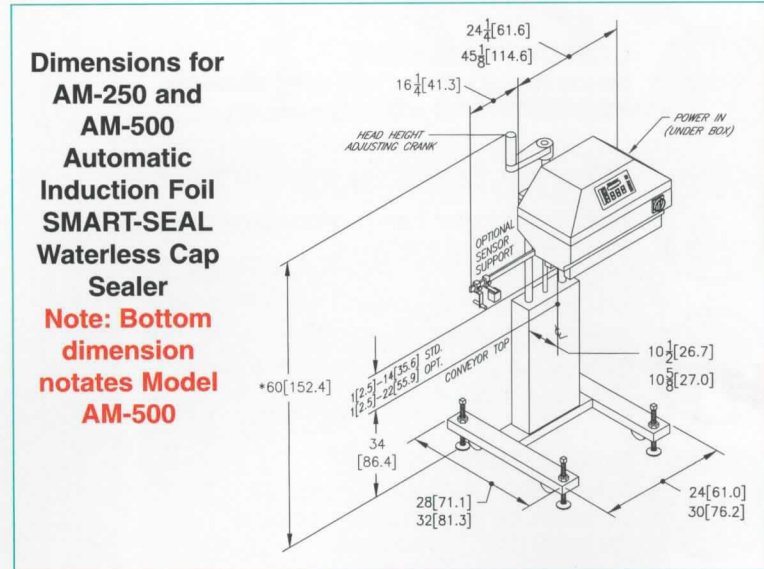
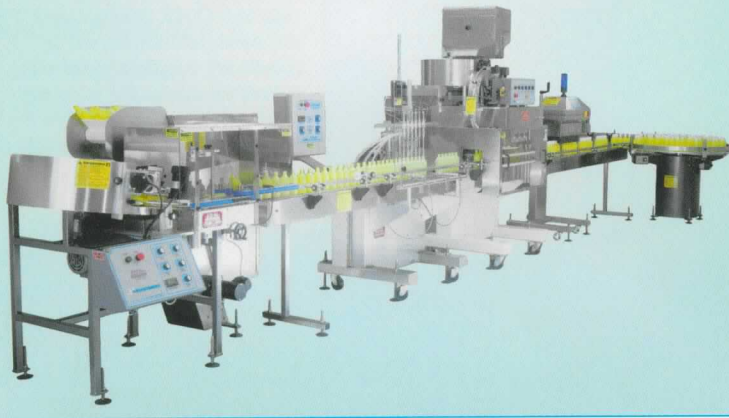
Complete Bottling Systems Available

Contact us for more information about complete line integration



Typical bottling lines including:

- Unscrambler • Filler • Capper • Inspection • Conveying • Sealing • Accumulator, etc.



NOTES:
 1) AutoMate Technologies, LLC is striving for continued leadership in the packaging industry. Therefore, dimensions and specifications are subject to change without notice.
 2) *This dimension based on 34 in. (86.4cm) high conveyor and 6 in. (15.2cm) tall container. Overall height does not include optional status light.
 3) Dimensions shown are in inches. [] Indicates centimeters.

Your Partner In Productivity and Automation®

AutoMate
TECHNOLOGIES LLC