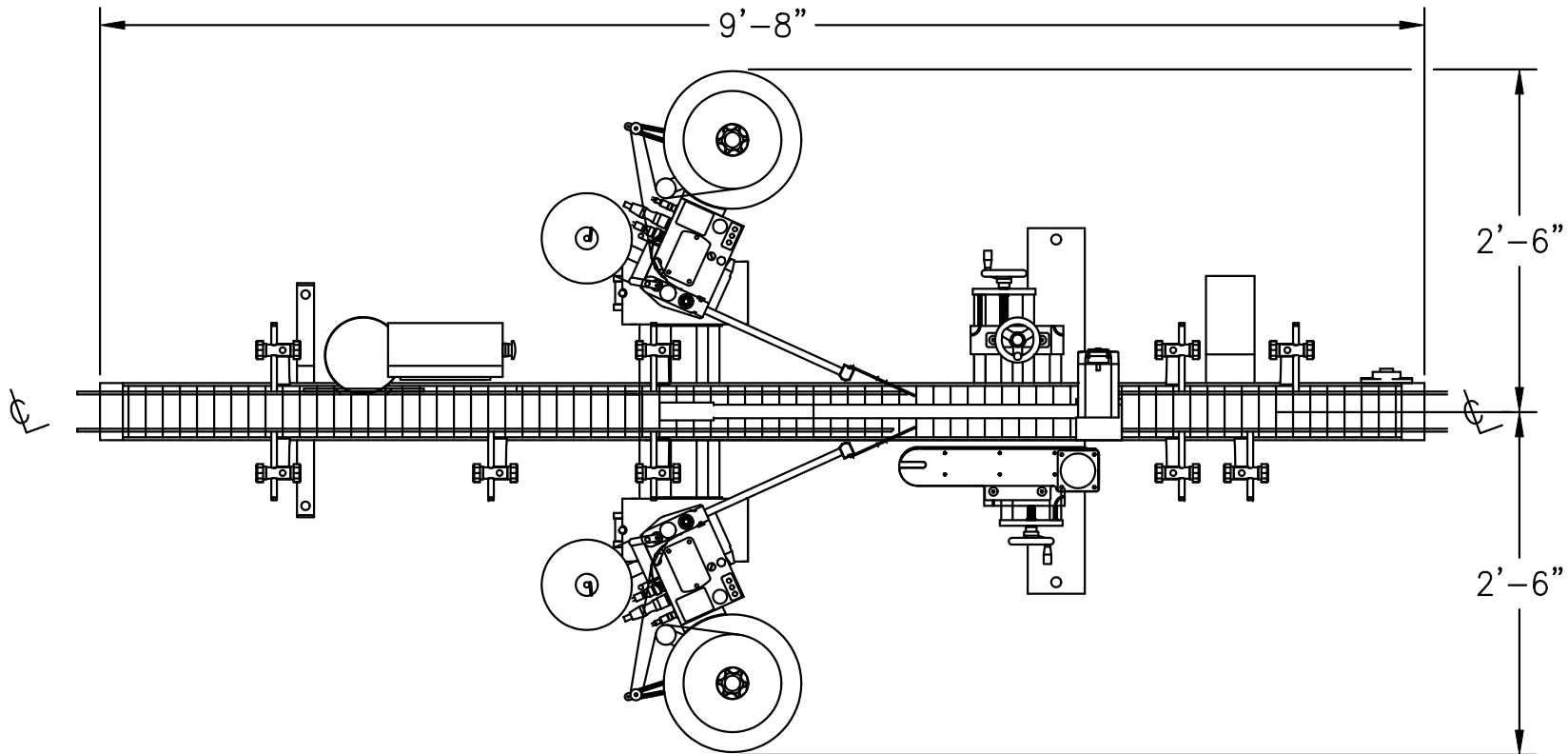


This document is the property of Auto-Mate Technologies, LLC and contains proprietary and confidential information which must not be duplicated, used or disclosed other than as expressly authorized by Auto-Mate Technologies, LLC

107-030

SHEET 1 OF 1



TOLERANCES (EXCEPT AS NOTED)	REVISIONS			AUTO-MATE TECHNOLOGIES, LLC RIVERHEAD, N.Y.			
	NO.	DATE	BY				
DECIMAL ±	1			LABEL-VANTAGE LABELER MODEL LFB-40 FRONT AND BACK LABELER			
	2						
FRACTIONAL ±	3			DRAWN BY	PC	SCALE 1/16"=1"	SHEET 1 OF 1
	4			0.0625	P	SIZE	REV.
ANGULAR ±	5			DATE	7/27/2009	A	0
							DRAWING NO. 107-030

UNLESS NOTED OTHERWISE, ALL DIMENSIONS ARE IN INCHES