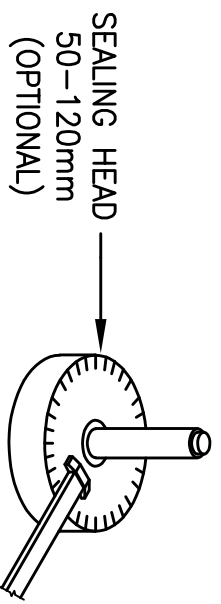
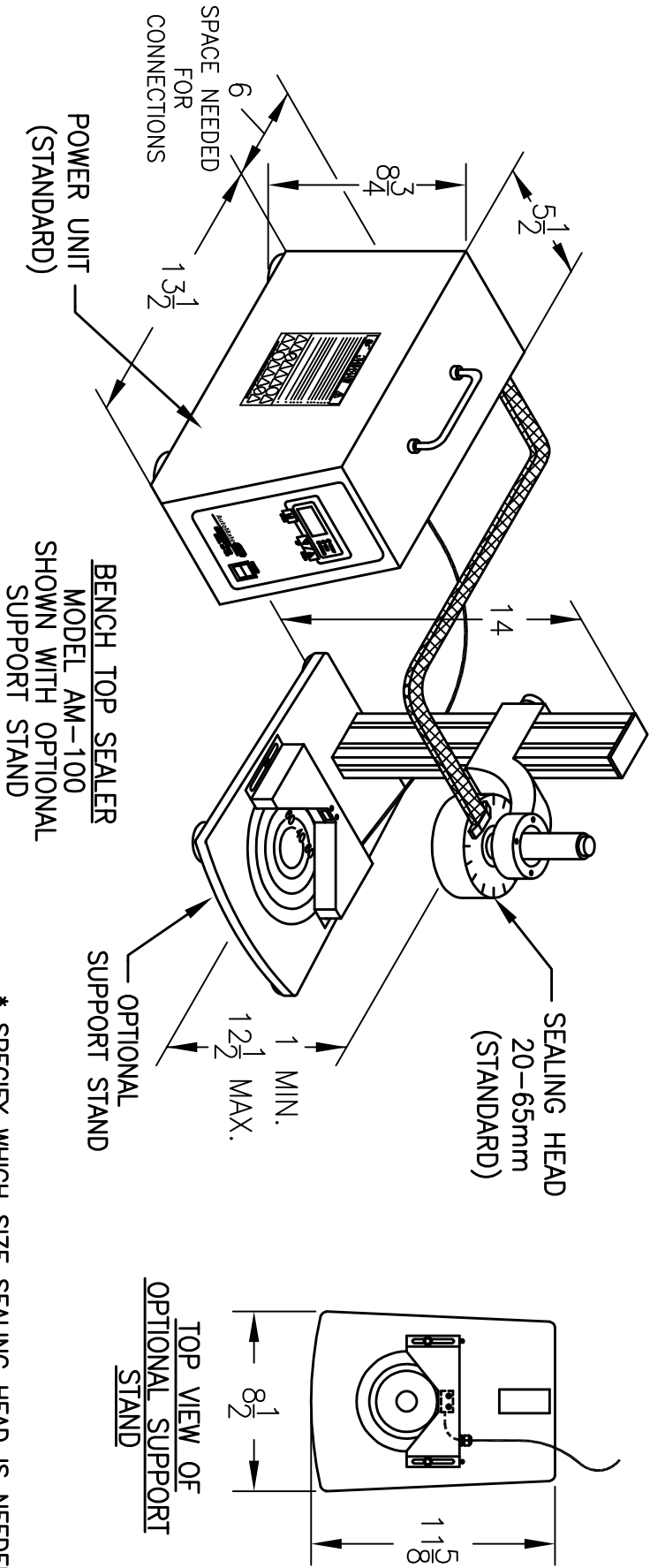


This document is the property of Auto-Mate Technologies, LLC and contains proprietary and confidential information which must not be duplicated, used or disclosed other than as expressly authorized by Auto-Mate Technologies, LLC



* SPECIFY WHICH SIZE SEALING HEAD IS NEEDED

AUTO-MATE TECHNOLOGIES, LLC
RIVERHEAD, N.Y.

AM-100 BENCH TOP INDUCTION SEALER
(DIMENSIONS)

REVISIONS			
NO.	DATE	BY	
1			
2			
3			
4			
5			

DRAWN BY	PC	SCALE	1/8"=1"	SHEET	1 OF 1
		SIZE	A	REV.	0
DATE	11/13/2019	DRAWING NO.			107-095

UNLESS NOTED OTHERWISE, ALL DIMENSIONS ARE IN INCHES