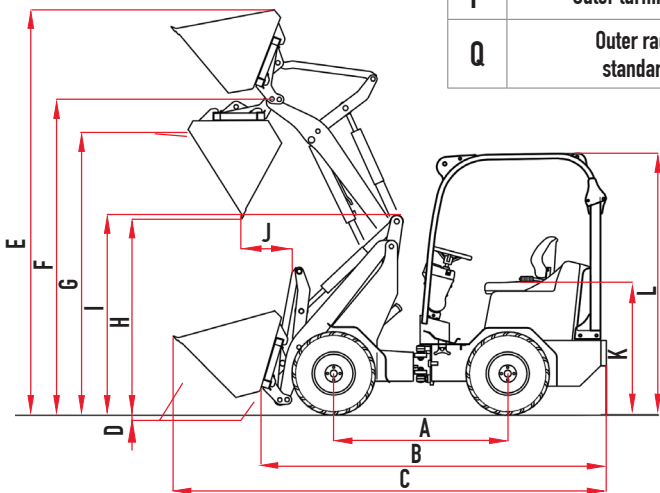
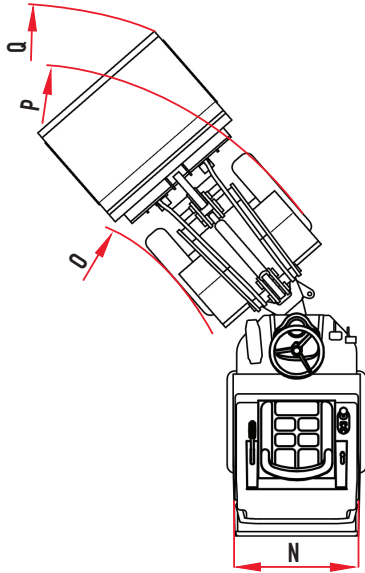


TECHNICAL SPECS

Schäffer Model 2430 SLT



	DIMENSIONS	2430 SLT
A	Wheelbase	5 ft 11.5 in
B	Chassis length	11 ft 1.9 in
C	Overall length with standard bucket	13 ft 9.4 in
D	Digging depth	4.1 in
E	Max. working height	10 ft 7.2 in
F	Max. bucket pivot height	8 ft 2.4 in
G	Loading height with pallet fork	7 ft 8.9 in
H	Max. dumping height	5 ft 6.9 in
I	Front end height	4 ft 10.3 in
J	Dumping depth	10.2 in
K	Seat height	3 ft 3.2 in
L	Overhead guard height Cab height	6 ft 5.2 in 6 ft 5.2 in
N	Overall width	40.2 - 59.8 in
O	Inner turning radius	6 ft 1.4 in
P	Outer turning radius	8 ft 5.6 in
Q	Outer radius with standard bucket	9 ft 8.5 in

	TECHNICAL DATA	2430 SLT
Engine		3 Cyl. KUBOTA D1703-M-Di, 25 hp (18.5 kW)
Traction hydraulics		Hydrostatic-automotive, HTF (High Traction Force)
Service braking system		Combined brake hydrostatic and multi-disc brake
Parking brake		Multi-disc brake running in oil bath
Working hydraulics output/pressure		Delivery rate: 11.1 GPM Operating pressure: 2,900 psi
Steering		Fully hydraulic articulated/swivel steering
Operating weight		5,467 lbs 5,633 lbs with cab
Lifting capacity		4,189 lbs
Tipping load, straight ¹		Pallet fork 3,821 lbs Bucket 4,012 lbs
Tipping load, articulated ¹		Pallet fork 2,921 lbs Bucket 3,417 lbs
Payload		Pallet fork, even ground ² 2,557 lbs Pallet fork, uneven ground ² 1,753 lbs Bucket ³ 1,709 lbs
Axles		Original Schäffer axles, 6-hole rim; Option: automatic slip-control differential
Speed		12.4 mph
Electric system		Operating voltage: 12 V
Fill quantities		Fuel: 10.6 gal Hydraulic Oil: 7.9 gal
Sound pressure level LpA		85 dB(A)

¹ acc. to ISO 8313 ² acc. to EN 474-3 ³ acc. to ISO 14397-1

Tire dimensions and additional equipment can change the operating weight, tipping load, and payload.

Wheel Options (Standard tire option highlighted in yellow)

DIMENSION	LOADER WIDTH (in)*	TREAD OPTIONS
10.0/75-15.3	40.2 (47.2) - 43.3**	SKD, AS Farmer, MPT
31x15.5-15	51.2	SKD, AS Farmer, Allground
27/10.50-15	40.6	SKD
31x13.5-15	59.8 (54.3)**	Multi Trac

*Measurements vary based on rim offset configurations.

**Measurements in brackets for width with turned wheels.



SKD



AS FARMER



MULTI TRAC



ALLGROUND



MPT