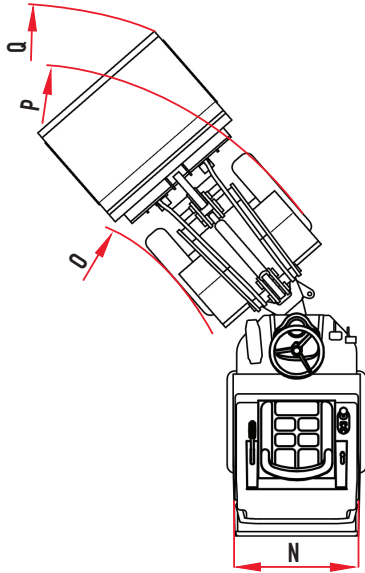


TECHNICAL SPECS

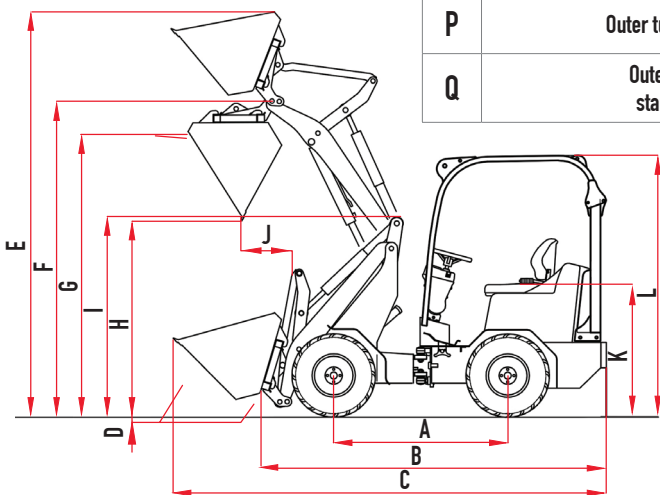
Schäffer Model 2445 S



	DIMENSIONS	2445 S
A	Wheelbase	6 ft 2 in
B	Chassis length	11 ft 3.6 in
C	Overall length with standard bucket	13 ft 8.8 in
D	Digging depth	4.1 in
E	Max. working height	10 ft 7.2 in
F	Max. bucket pivot height	8 ft 2.4 in
G	Loading height with pallet fork	7 ft 8.9 in
H	Max. dumping height	5 ft 6.9 in
I	Front end height	4 ft 10.7 in
J	Dumping depth	10.2 in
K	Seat height	3 ft 9.7 in
L	Overhead guard height Cab height	7 ft 3.8 in 7 ft 0.6 in
N	Overall width	54.7 - 59.8 in
O	Inner turning radius	4 ft 0.4 in
P	Outer turning radius	7 ft 7.7 in
Q	Outer radius with standard bucket	8 ft 10.7 in

TECHNICAL DATA	2445 S
Engine	3 Cyl. KUBOTA TURBO D1803-CR-T, 50 hp (37 kW)
Traction hydraulics	Hydrostatic-automotive, HTF (High Traction Force)
Service braking system	Combined brake hydrostatic and multi-disc brake
Parking brake	Multi-disc brake running in oil bath
Working hydraulics output/pressure	Delivery rate: from 12.15 - 21.4 GPM Operating pressure: 2,900 psi
Steering	Fully hydraulic articulated/swivel steering
Operating weight	5,512 lbs 5,952 lbs with cab
Lifting capacity	4,189 lbs
Tipping load, straight ¹	
Pallet fork	4,034 lbs
Bucket	5,335 lbs
Tipping load, articulated ¹	
Pallet fork	2,998 lbs
Bucket	3,836 lbs
Payload	
Pallet fork, even ground ²	2,399 lbs
Pallet fork, uneven ground ²	1,799 lbs
Bucket ³	1,918 lbs
Axles	Original Schäffer axles, 6-hole rim; Option: automatic slip-control differential
Speed	12.4 mph in 2 gears switchable under load. Option: 18.6 mph
Electric system	Operating voltage: 12 V
Fill quantities	Fuel: 13.2 gal Hydraulic Oil: 12.7 gal
Sound pressure level LpA	82 dB(A)

¹ acc. to ISO 8313 ² acc. to EN 474-3 ³ acc. to ISO 14397-1
Tire dimensions and additional equipment can change the operating weight, tipping load, and payload.



Wheel Options (Standard tire option highlighted in yellow)

DIMENSION	LOADER WIDTH (in)*	TREAD OPTIONS
31x13.5-15	59.8 (54.3)**	Multi Trac
31x15.5-15	54.7 - 58.3	AS Farmer, SKD, Allground



SKD



AS FARMER



ALLGROUND



MULTI TRAC

*Measurements vary based on rim offset configurations.
**Measurements in brackets for width with turned wheels.