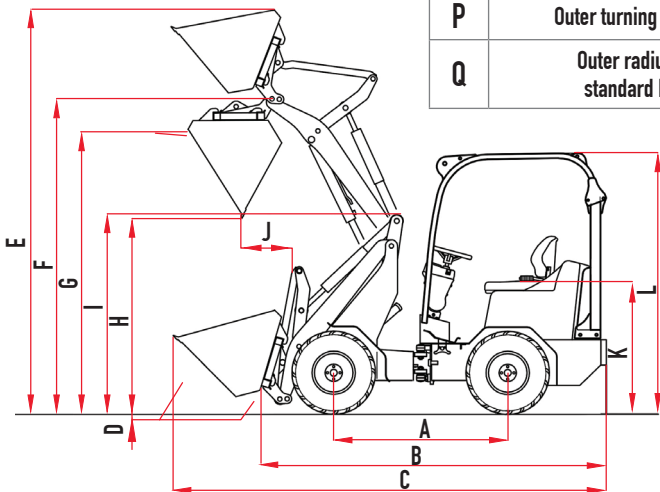
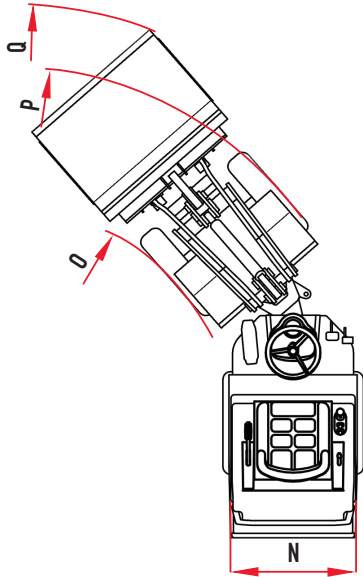


# TECHNICAL SPECS

**Schäffer**  
Model 4670 Z



DIMENSIONS		4670 Z
A	Wheelbase	6 ft 6.7 in
B	Chassis length	13 ft 4.6 in
C	Overall length with standard bucket	15 ft 7.4 in
D	Digging depth	4.7 in
E	Max. working height	13 ft 3.8 in
F	Max. bucket pivot height	10 ft 8.3 in
G	Loading height with pallet fork	10 ft 0.1 in
H	Max. dumping height	8 ft 2.4 in
I	Front end height	5 ft 1.8 in
J	Dumping depth	2 ft 1.2 in
K	Seat height	4 ft 2 in
L	Overhead guard height Cab height	7 ft 5.4 in 7 ft 5.4 in
N	Overall width	55.9 - 68.1 in
O	Inner turning radius	4 ft 8.1 in
P	Outer turning radius	9 ft 4 in
Q	Outer radius with standard bucket	10 ft 5 in

TECHNICAL DATA		4670 Z
Engine		4 Cyl. KUBOTA V2403-CR(-T), 51 hp (37.4 kW) / Optional: 66 hp (48.6 kW)
Traction hydraulics		Hydrostatic-automotive, HTF (High Traction Force)
Service braking system		Combined brake hydrostatic and multi-disc brake
Parking brake		Multi-disc brake running in oil bath
Working hydraulics Output/pressure		Delivery rate: from 20.1 GPM Operating pressure: 2,900 - 3,046 psi
Steering		Fully hydraulic articulated/swivel steering
Operating weight		7,496 lbs 7,760 lbs with cab
Lifting capacity		5,291 lbs
Tipping load, straight <sup>1</sup>	Pallet fork Bucket	4,019 lbs 4,674 lbs
Tipping load, articulated <sup>1</sup>	Pallet fork Bucket	3,748 lbs 4,299 lbs
Payload	Pallet fork, even ground <sup>2</sup> Pallet fork, uneven ground <sup>2</sup> Bucket <sup>3</sup>	2,504 lbs 1,878 lbs 1,940 lbs
Axles		Original Schäffer axles, 6-hole rim; planetary axle and automatic limited slip brake
Speed		12.4 mph in 2 gears switchable under load Option: 18.6 mph
Electric system		Operating voltage: 12 V
Fill quantities		Fuel: 23.8 gal. Hydraulic Oil: 15.9 gal
Sound pressure level LpA		85 dB(A)

<sup>1</sup> acc. to ISO 8313 <sup>2</sup> acc. to EN 474-3 <sup>3</sup> acc. to ISO 14397-1

Tire dimensions and additional equipment can change the operating weight, tipping load, and payload.

## Wheel Options

(Standard tire option highlighted in yellow)

DIMENSION	LOADER WIDTH (in)*	TREAD OPTIONS
11.5/80-15.3	55.9 (63.0) - 59.1**	AS Farmer, MPT
33x15.5-16.5	60.2	SKD
15.0/55-17	59.4 - 65.7	AS Farmer
425/55-17	60.6 (68.1) - 67.3**	AS Farmer
440/50-17	61.0 - 64.6	Allground
425/55R1	60.6 - 67.3	FL693 Ridemax

\*Measurements vary based on rim offset configurations.

\*\*Measurements in brackets for width with turned wheels.



SKD



AS FARMER



FL693 RIDEMAX



ALLGROUND



MPT