

TECHNICAL SPECS

Schäffer Model 4670 T

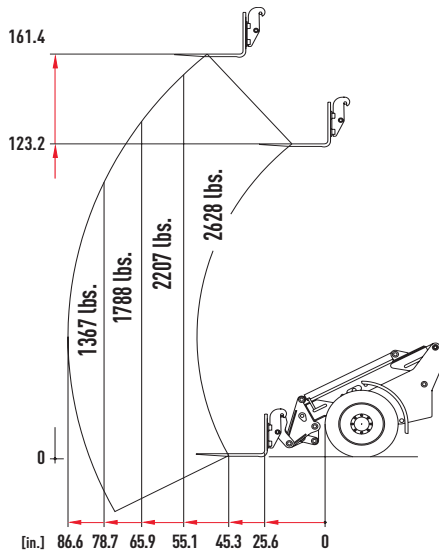
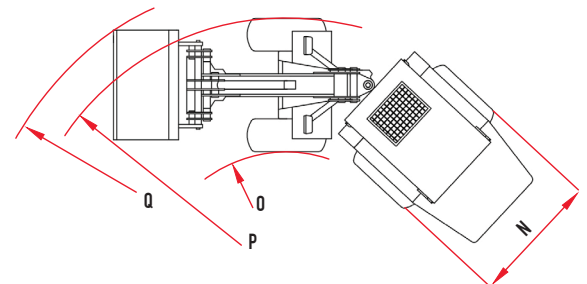
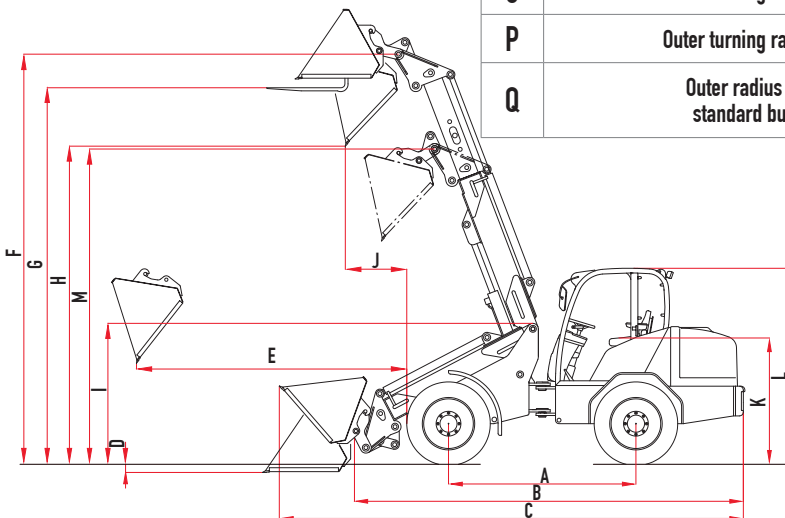


Diagram refers to the lift capacity in relation to the boom extension, when used with forks on stable ground (according EN 474-3)

DIMENSIONS		4670 T
A	Wheelbase	6 ft 6.7 in
B	Chassis length	13 ft 9.4 in
C	Overall length with standard bucket	16 ft 2.1 in
D	Digging depth	9.8 in
E	Forward reach	7 ft 0.6 in
F	Max. bucket pivot height	14 ft 1.3 in
G	Loading height with pallet fork	13 ft 4.6 in
H	Max. dumping height	11 ft 5 in
I	Front end height	5 ft 3.8 in
J	Dumping depth	3 ft 3.8 in
K	Seat height	4 ft 3.2 in
L	Cab height Protective roof height	7 ft 5.4 in 7 ft 5.4 in
M	Swivelling point, telescopic arm retracted	11 ft 1.9 in
N	Overall width	55.9 - 68.1 in
O	Inner turning radius	4 ft 8.1 in
P	Outer turning radius	9 ft 4 in
Q	Outer radius with standard bucket	11 ft 2.8 in

TECHNICAL DATA		4670 T
Engine	4 Cyl. KUBOTA TURBO V2403-CR-T, 66 hp (48.6 kW)	
Traction hydraulics	Hydrostatic-automotive, HTF (High Traction Force)	
Service braking system	Combined brake hydrostatic and multi-disc brake	
Parking brake	Multi-disc brake running in oil bath	
Working hydraulics output/pressure	Delivery rate: 15.9 GPM Operating pressure: 2,900 psi	
Steering	Hydraulic articulated pendulum steering	
Operating weight	Protective roof: 8,598 lbs Cabin: 8,818 lbs	
Lifting capacity	5,291 lbs	
Tipping load, straight *1	4,652 lbs	
Axles	Original Schäffer axles, 6-hole rim; planetary final drive and automatic slip-control differential	
Speed	12.4 mph in 2 gears switchable under load, Option: 18.6 mph	
Electric system	Operating voltage: 12 V	
Fill quantities	Fuel: 14.5 gal Hydraulic oil: 13.2 gal	
Sound pressure level LpA	85 dB(A)	

*1 Boom horizontal, not extended with pallet fork (acc. To ISO 14397)
Tire dimensions and additional equipment can change the operating weight, tipping load, and payload.



Wheel Options (Standard tire option highlighted in yellow)

DIMENSION	LOADER WIDTH (in)*	TREAD OPTIONS
15.0/55-17	55.9 - 65.7	AS Farmer
425/55-17	60.6 (68.1) - 67.3 **	AS Farmer
440/50-17	61 (68.1) - 64.6 **	Allground
425/55R17	60.6 - 67.3	FL693 Ridemax
33x15.5-16.5	60.2	SKD

*Measurements vary based on rim offset configurations.
**Measurements in brackets for width with turned wheels.

