

# TECHNICAL SPECS

# Schäffer Model 5680 T

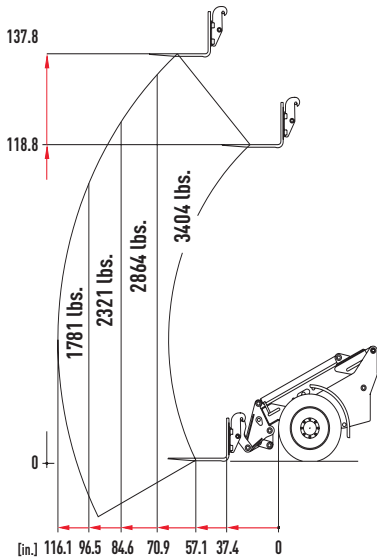


Diagram refers to the lift capacity in relation to the boom extension, when used with forks on stable ground (according EN 474-3)

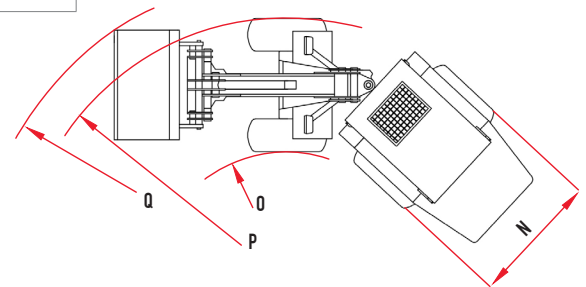
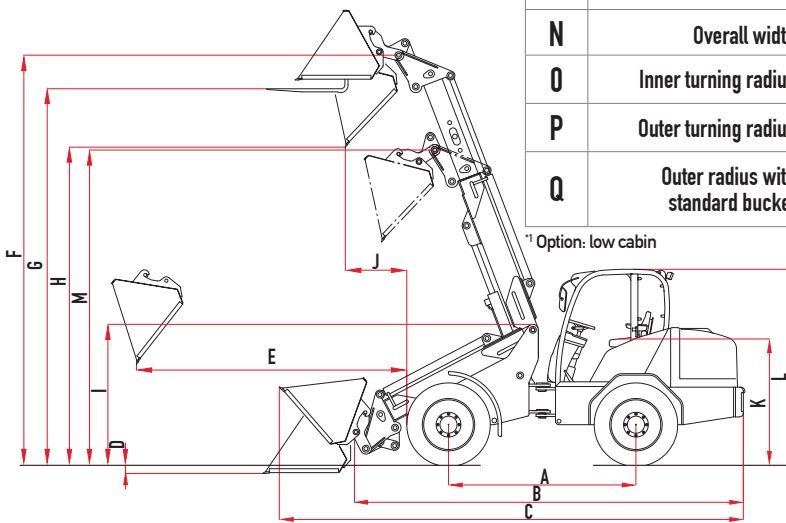
	DIMENSIONS	5680 T
A	Wheelbase	6 ft 11.5 in
B	Chassis length	15 ft 4.7 in
C	Overall length with standard bucket	17 ft 9.9 in
D	Digging depth	7.1 in
E	Forward reach	8 ft 1.6 in
F	Max. bucket pivot height	15 ft 6.6 in
G	Loading height with pallet fork	14 ft 9.1 in
H	Max. dumping height	12 ft 8 in
I	Front end height	5 ft 8.1 in
J	Dumping depth	3 ft 1.9 in
K	Seat height	4 ft 4.4 in
L	Cab height	8 ft 3.6 in / 7 ft 10.9 in <sup>1</sup>
	Protective roof height	7 ft 10.9 in
M	Swivelling point, telescopic arm retracted	12 ft 3.6 in
N	Overall width	67.7 - 71.7 in
O	Inner turning radius	5 ft 1.8 in
P	Outer turning radius	10 ft 5.6 in
Q	Outer radius with standard bucket	12 ft 2.1 in

<sup>1</sup> Option: low cabin

	TECHNICAL DATA	5680 T
Engine		4 Cyl. DEUTZ TURBO TD 2.9, 75 hp (55 kW)
Traction hydraulics		Hydrostatic-automotive, HTF (High Traction Force)
Service braking system		Combined brake hydrostatic and multi-disc brake
Parking brake		Multi-disc brake running in oil bath
Working hydraulics output/pressure		Delivery rate: 20 GPM Operating pressure: 3,191 psi
Steering		Fully hydraulic articulated steering
Operating weight		Protective roof: 10,229 lbs Cabin: 10,670 lbs
Lifting capacity		5,291 lbs.
Tipping load, straight <sup>1</sup>		5,864 lbs
Axles		HD axles, 8-hole rim; planetary final drive and automatic slip-control differential, swing axle at rear
Speed		12.4 mph in 2 gears switchable under load, Option: 18.6 mph
Electric system		Operating voltage: 12 V
Fill quantities		Fuel: 25.1 gal Hydraulic oil: 22.5 gal
Sound pressure level LpA		81 dB(A)

<sup>1</sup> Boom horizontal, not extended with pallet fork (acc. To ISO 14397)

Tire dimensions and additional equipment can change the operating weight, tipping load, and payload.



## Wheel Options (Standard tire option highlighted in yellow)

DIMENSION	LOADER WIDTH (in)	TREAD OPTIONS
15.5/60-18	68.5	AT
15.5/55-18*	67.7	A601 (Blockpro.)
425/55-17*	68.7	AS Farmer, FL693 Ridemax
12.5/80-18	68.1	AS Farmer, MPT
500/45-20	71.7	AS Farmer
400/70R-18	68.5	MPT, AS Farmer TH400, A608

\*not available for 18.6 mph version



AS FARMER



A601



AT



MPT



FL693 RIDEMAX



A608