

# TECHNICAL SPECS

# Schäffer Model 6680 T

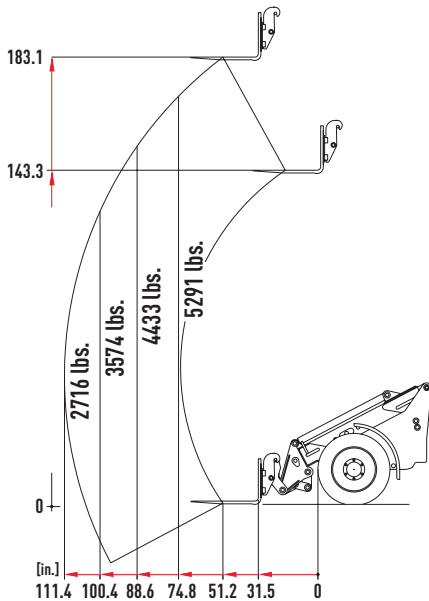
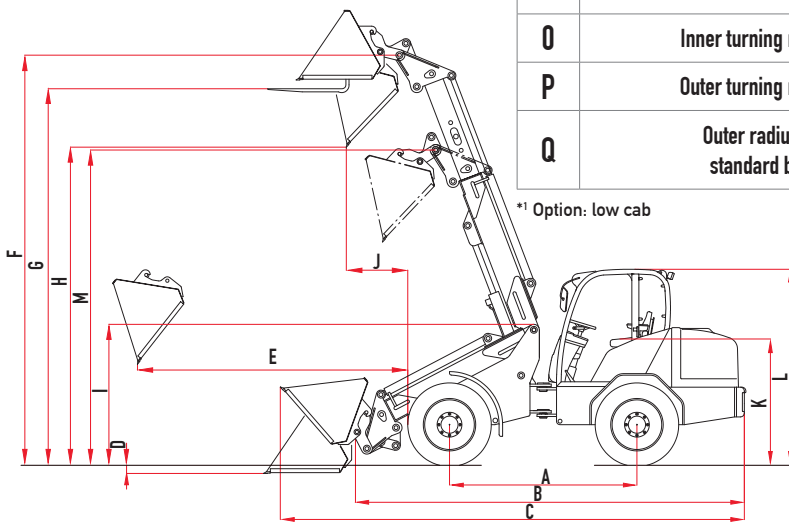
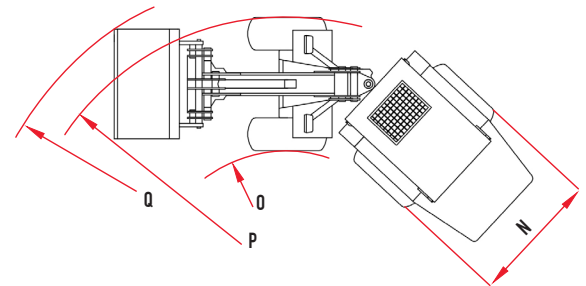


Diagram refers to the lift capacity in relation to the boom extension, when used with forks on stable ground (according EN 474-3)



\*1 Option: low cab



	DIMENSIONS	6680 T
A	Wheelbase	8 ft 0.5 in
B	Chassis length	16 ft 6.8 in
C	Overall length with standard bucket	18 ft 11.6 in
D	Digging depth	0 ft 2 in
E	Forward reach	7 ft 8.9 in
F	Max. bucket pivot height	16 ft 2.9 in
G	Loading height with pallet fork	15 ft 5 in
H	Max. dumping height	13 ft 0.7 in
I	Front end height	5 ft 8.9 in
J	Dumping depth	2 ft 8.1 in
K	Seat height	4 ft 9.9 in
L	Cab height	8 ft 7.5 in / from 8 ft 3.6 in <sup>*1</sup>
M	Swivelling point, telescopic arm retracted	12 ft 11.5 in
N	Overall width	70.9 - 80.7 in
O	Inner turning radius	5 ft 8.9 in
P	Outer turning radius	11 ft 0.3 in
Q	Outer radius with standard bucket	13 ft 1.5 in

	TECHNICAL DATA	6680 T
Engine		4 Cyl. DEUTZ TURBO TCD 2.9 with intercooler, 75 hp (55 kW)
Traction hydraulics		Hydrostatic-automotive, HTF (High Traction Force)
Service braking system		Combined brake hydrostatic and multi-disc brake
Parking brake		Multi-disc brake running in oil bath
Working hydraulics output/pressure		Delivery rate: from 20.1 GPM Operating pressure: 3,191 psi
Steering		Fully hydraulic articulated steering
Lifting capacity		6,834 lbs
Tipping load, straight <sup>*1</sup>		8,422 lbs
Axles		HD axles, 8-hole rim; planetary final drive and automatic slip-control differential, swing axle at rear
Operating weight		Cabin: 12,787 - 13,889 lbs
Speed		12.4 mph in 2 gears switchable under load, Option: 21.7 mph
Electric system		Operating voltage: 12 V
Fill quantities		Fuel: 27.7 gal Hydraulic oil: 25.1 gal
Sound pressure level LpA		70 dB(A)

<sup>\*1</sup> Boom horizontal, not extended, with pallet fork(acc. to ISO 14397)  
Tire dimensions and additional equipment can change the operating weight, tipping load, and payload.

## Wheel Options

(Standard tire option highlighted in yellow)

DIMENSION	LOADER WIDTH (in)*	TREAD OPTIONS
400/70-20	70.9 - 74.8	AS Farmer
12.5/80-18	71.3	AS Farmer, MPT
400/70R20	70.9 - 74.8	A608
550/45-22.5	80.7	AS A331



AS FARMER



MPT



A608



AS A331

\*Measurements vary based on rim offset configurations.